



Wide Angle Port M67 for Sony Cyber-shot RX100 VI Housing

Item number 9306.02

Included in the Box

- Wide angle port
- O-ring # 0132.30 (installed)
- Vinyl cover # 0200 (installed)
- Silicone lubricant # 0184.1

Tools Recommended

- Rubber strap wrench # 0945.01 (not included)

Housing Compatibility

- Ikelite Underwater Housings for Sony Cyber-shot RX100 VI # 6116.18

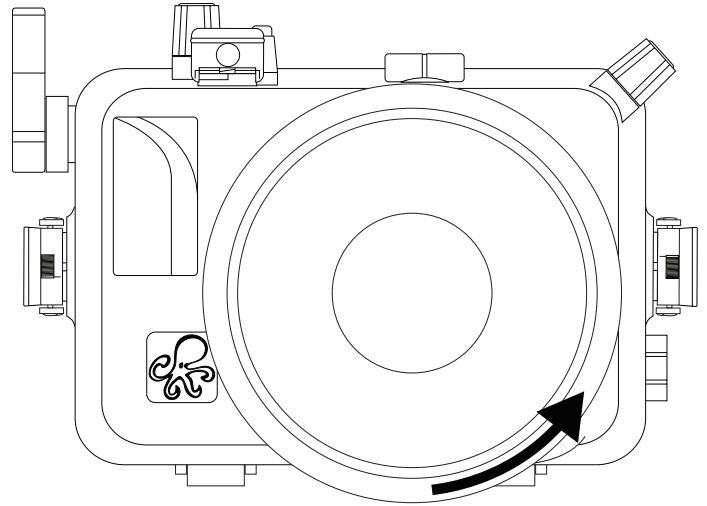
Important Notices

- » **Do not use alcohol, cleaning agents, spray lubricants, Rain-X, or other solvents on the housing or lens port. Use of an incompatible chemical compound can damage the plastic or component o-rings, which may result in leaking.**
- » **This port is not recommended for use with any models of RX100-series housings except as listed above.**

Installation and Use

Removing the Standard Port

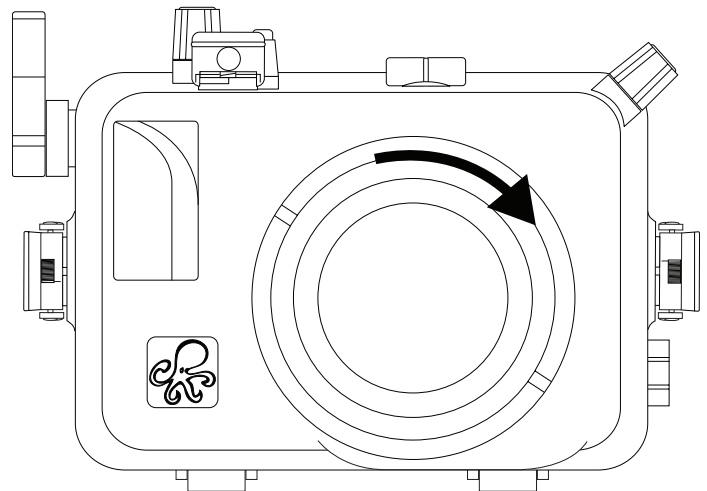
1. Rotate the lens port counter-clockwise to remove. We recommend using a rubber strap wrench (not included).



2. Store the port with o-ring in a dry, dust-free environment.

Installing the Wide Angle Port

1. Check that the o-ring is in its groove on the back of the wide angle port.
2. Apply a very light, even coat of Ikelite silicone lubricant to the exposed surface of the o-ring.
3. Align the threads of the wide angle port with the threads of the opening in the front of the housing.
4. Facing the front of the housing, rotate the wide angle port clockwise and tighten until snug.



Testing the Housing

1. Assemble the housing without a camera installed.
2. Submerge the housing in fresh water for several minutes.
3. Remove the housing from water and dry the outside of the housing with a clean, lint-free cloth.
4. Look through the back of the housing for signs that water has entered the housing. Signs include fogging or water droplets.
5. We recommend making at least one dive without a camera installed to ensure waterproof operation.

Maintenance and Storage

Post-Dive

1. Rinse the housing with wide angle port installed in clean, fresh water.
2. NEVER leave your housing in the fresh water rinse tank. Collisions with other gear can cause scratches or damage to your equipment.
3. Dry the port and glass with a clean micro fiber lens cleaning cloth.
4. Attach the protective vinyl cover.
5. Stow the housing in a shaded place where it is protected from impact or overheating. If no shade is available, we recommend covering the housing with a towel or cloth.

Travel and Storage

1. Clean and dry the exterior of the wide angle port. DO NOT use any type of alcohol or glass or surface cleaner on the dome port.
2. Attach the protective vinyl cover.
3. Store in a cool, dry place.

Limited Warranty

This Ikelite product is warranted against any manufacturing defects for a period of one (1) year from the original date of purchase. To obtain warranty service, the product must be returned to Ikelite postage paid. Ikelite will, at its sole discretion, repair or replace such products, and will return to customer postage paid. All other claims of any nature are not covered. Except as mentioned above, no other warranty expressed or implied applies to this Ikelite product.

Contact Us

Ikelite Underwater Systems
50 W 33rd St
Indianapolis, IN 46208 USA
(317) 923-4523
ikelite@ikelite.com