



## Update Kit for Panasonic Lumix ZS80 TZ95

Product # 9295.07

### Included in the Box

- Nylon washer

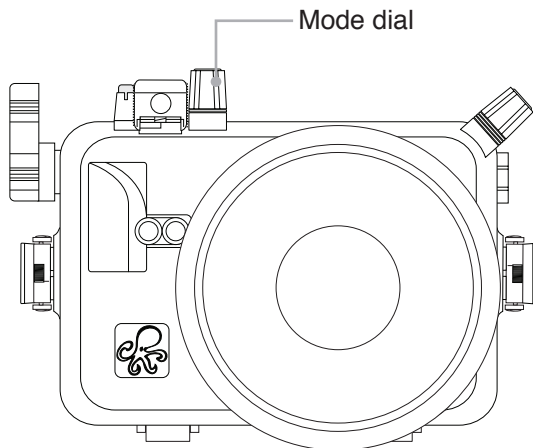
### Housing Compatibility

- Ikelite Underwater Housing for Panasonic Lumix ZS70 TZ90 # 6170.70

### Installation and Use

#### Control Requiring Adjustment

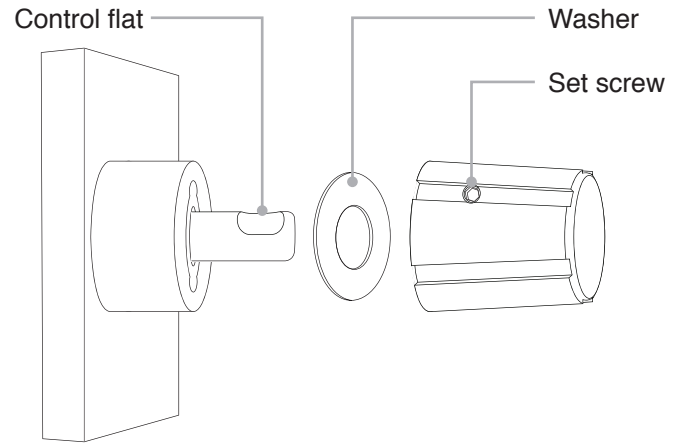
- Mode dial



#### Adjusting Controls

1. The knob is attached by a set screw threaded into the side of the knob. Remove the knob by loosening the set screw using a hex key. Do not remove the control shaft from the housing.
2. Add the included nylon washer to the control shaft.

3. Align the knob set screw with the flat on the side of the control shaft.



4. Re-attach the knob using a hex key or allen wrench.
5. Install your camera and check all controls. On the surface you may need to apply pressure to the control while rotating for proper operation.

#### Testing the Housing

1. Assemble the housing without a camera installed.
2. Submerge the housing in fresh water for several minutes.
3. Remove the housing from water and dry the outside of the housing with a clean, lint-free cloth.
4. Look through the back of the housing for signs that water has entered the housing. Signs include fogging or water droplets.
5. We recommend making at least one dive without a camera installed to ensure waterproof operation.

#### Re-Adjusting Control for ZS70 TZ90

This procedure is reversible. To use the Panasonic Lumix ZS70 or TZ90 cameras, use the same procedure to remove one washer from underneath the control knob for the mode dial.

### Contact Us

Ikelite Underwater Systems  
50 W 33rd St  
Indianapolis, IN 46208 USA  
(317) 923-4523  
ikelite@ikelite.com