



Update Kit Canon EOS 100D Rebel SL1 Shutter Control

Product number 9295.03

Included in the Package

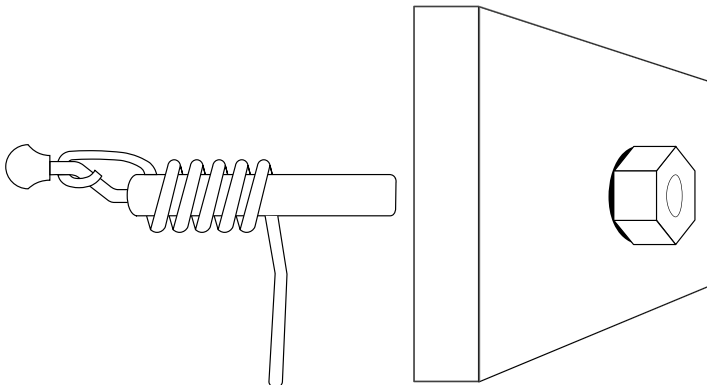
- Shaft with spring and rubber tip
- Gland cover
- Shutter lever
- Silicone lubricant
- 1/8" hex key
- 1/16" hex key

Removing the Standard Shutter Lever

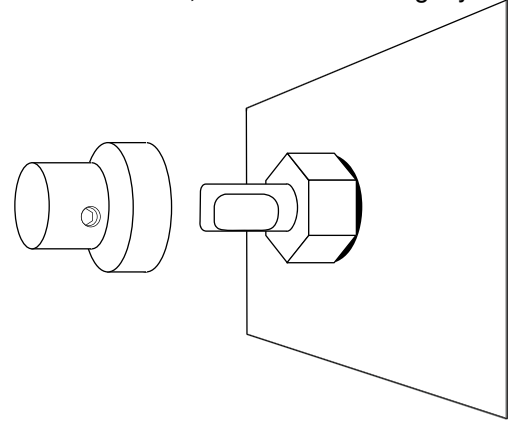
1. Remove the vinyl sleeve covering the shutter lever by rotating it counter-clockwise.
2. Loosen the lever using the larger hex key and remove the knob.
3. Remove the original shutter lever by pulling it out from the inside of the housing. Pull out gently and twist while the top of the shaft passes the control gland.

Installing the Updated Shutter Lever

1. Lubricate the sides and end of the new shutter lever.
2. Orient the shaft with the longer leg of the spring pointed toward the inside bottom of the housing.

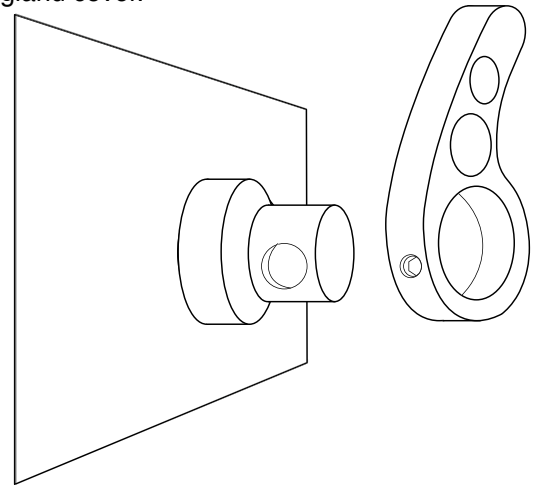


3. Insert the shutter lever slowly through the control gland. If you feel resistance, rotate the shaft slightly in either



directly while pushing it through the gland.

4. Line up the set screw of the gland cover with the flat on the control shaft and place the gland cover over the gland.
5. Tighten the set screw of the gland cover using the smaller hex key.
6. Line up the set screw of the shutter lever with the flat on the gland cover.



7. Tighten the set screw of the shutter lever using the smaller hex key.

Important Notices

- » Prior to normal use, take the housing underwater to a depth greater than 15' (3m) without a camera installed to check that the housing is water tight.
- » Do not over-rotate the shutter lever without a camera installed in the housing. The lever is designed to rotate just a few degrees to engage the shutter. Over-rotation of the shutter lever may dislodge or damage the spring mechanism.