



200DLM/A Underwater TTL Housing for Olympus OM-D E-M10 Mark III Mirrorless Micro Four-Thirds

Product Number 6950.13

Product Registration

Please register your product at ikelite.com within 15 days of purchase. Our product registration database is the best way for us to contact you in the event of a product update.

About this Product

Thank you for your purchase of Ikelite equipment. Please read this instruction manual completely before attempting to operate or dive with this product. Visit ikelite.com to register your product to receive information on any updates or notices pertaining to your equipment.

Included in the Box

- Housing
- Rear o-ring # 0110 (installed)
- Front o-ring # 0132.36 (installed)
- Waterproof bulkhead cap # 9104.7 (installed)
- .050" Hex key # 0945.11
- 1/16" Hex key # 0945.16
- Silicone lubricant

Important Notices

- » **This housing requires a compatible Lens Port for waterproof operation. The housing is not waterproof without a Lens Port attached.**
- » **To prevent salt build-up and sticking controls, submerge the empty housing in clean, fresh water. Operate the controls several times each while underwater to flush out any residue.**
- » **Never leave a housing in a rinse tank, even if it is the only system in the tank. Most catastrophic floods happen when the user walks away from a housing while it is in the rinse tank.**
- » **Do not use alcohol, cleaning agents, spray lubricants, Rain-X, or other solvents on the housing or lens port. Use of an incompatible chemical compound can damage the plastic and o-rings, and may result in leaking.**

Accessory Port

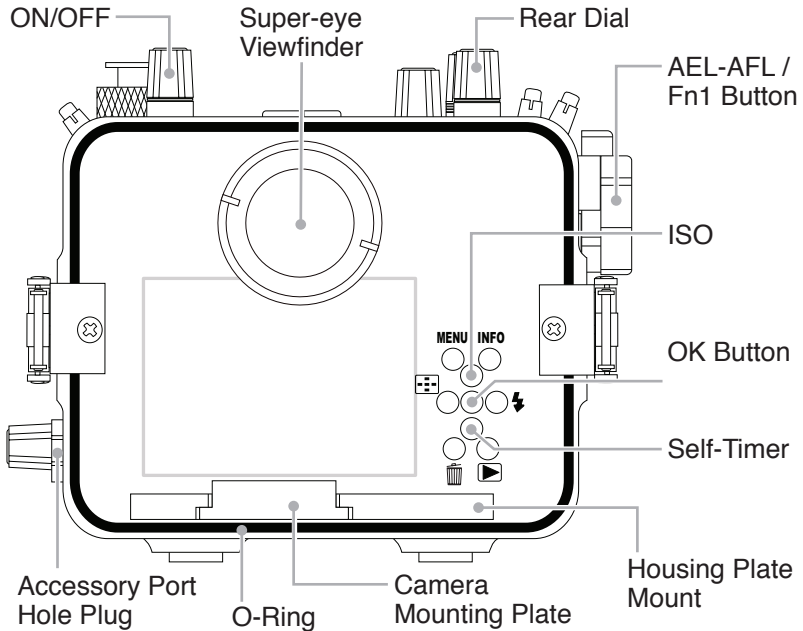
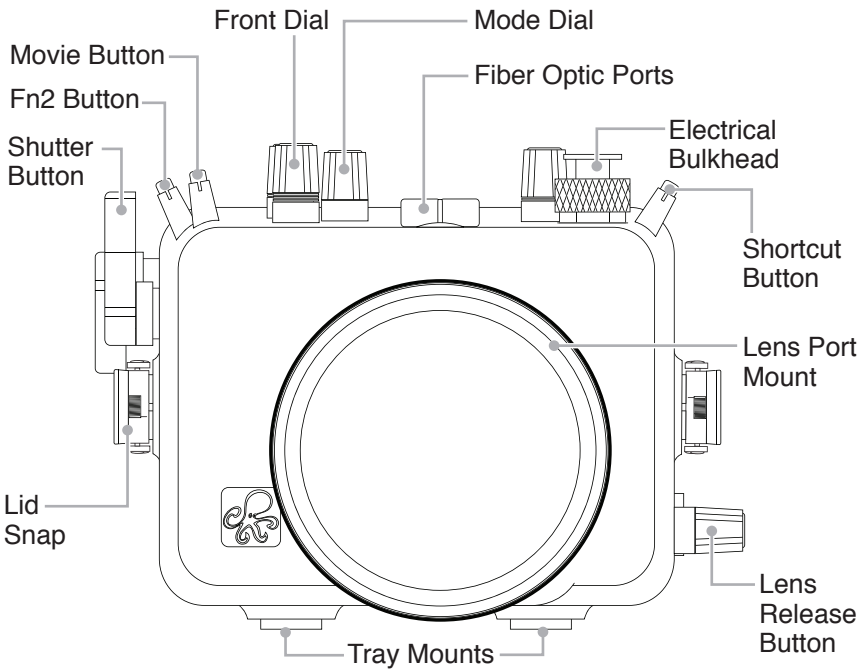
- » **Do not remove the Accessory Port Hole Plug unless you are installing a compatible accessory such as factory optional Vacuum Kit # 47012.**

Your housing features one 1/2-20 threaded Accessory Port which may be used for attachment of factory optional or aftermarket housing accessories. Visit ikelite.com for an updated list of factory optional accessories.

Contents



Product Registration	1
About this Product	2
Included in the Box	2
Important Notices	3
Accessory Port.....	3
Getting to Know Your Housing	5
Setting Up Your Camera	6
Pre-Installation Checklist & Initial Camera Settings.....	6
Setting Up Your Housing	7
Opening the Housing.....	7
Inserting the Camera.....	7
Attaching the Hotshoe.....	8
Closing the Housing.....	9
Attaching the Lens Port.....	10
Final Check.....	12
Entering the Water.....	12
Setting Up An External Strobe	13
About the Built-In Flash.....	13
About Sync Cords.....	13
Attaching a Sync Cord.....	13
About Fiber Optic Cords.....	15
Attaching a Fiber Optic Cord.....	15
Installing an Accessory via the Accessory Port	16
Maintenance	16
Post-Dive.....	16
Travel and Storage.....	17
Troubleshooting	17
Spare Parts	19
Limited Warranty	19

Getting to Know Your Housing



Setting Up Your Camera

Pre-Installation Checklist & Initial Camera Settings

1. Insert a fully charged camera battery.
2. Insert a properly formatted memory card.
3. Set Mode Dial to “M” Manual Mode. Set aperture to f/8 and shutter speed to 1/125th second. Other shooting modes are not recommended.
4. Set Metering to  “Center-weighted”.
5. Set AF-Illuminator to “OFF.”
6. Set White Balance to “AWB” when using a strobe/flash. When recording video or shooting stills without a strobe, AWB can still be used, but for more accurate and consistent colors we recommend setting Custom white balance.
7. Set Touchscreen settings to “Off.”
8. Set ISO speed to “200.” When NOT using a strobe, set ISO to “Auto.”
9. Set  to “Fill In.”
10. Set AF Frame to the “center.”
11. Set Image Review to “4 or 8 sec.”
12. Set AF operation to “ONE SHOT” and AF method to “1-point AF.”
13. In Power Saving: Set Display Off to “3 min.” and Auto Power Down to “5 min.”

14. DO NOT open camera flash until AFTER camera has been installed in housing.

MANUAL FLASH can be set on the camera if desired: S or M mode must be used to ensure that red eye reduction mode can be set. Select red eye reduction mode. When the shutter release is pressed, 4 short bursts will be fired by the flash. After that, you are now in manual flash mode and the lightning bolt flash ready indicator will disappear from the monitor, and there will be no more preflashes.

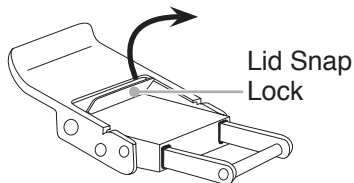
To go back to TTL mode, power the strobe off and then on again, then change the camera from red eye reduction back to “fill-in flash.”

Settings not mentioned should be set to the user’s preference.

Setting Up Your Housing

Opening the Housing

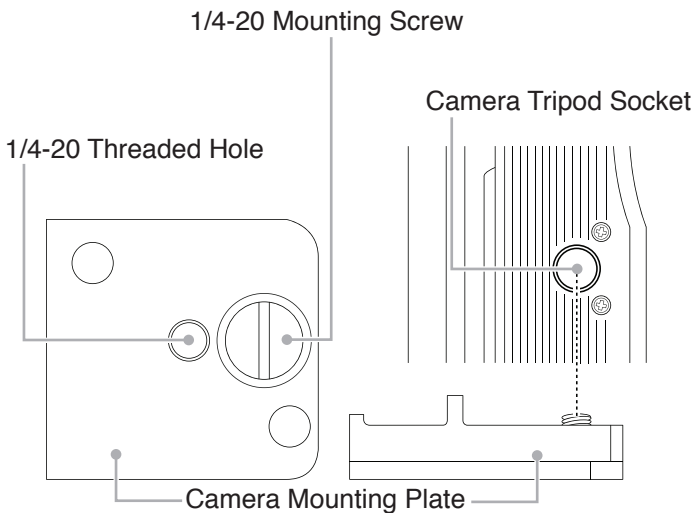
1. Push the lid snap lock forward and start to lift the curved end away from the housing.
2. Lid snaps are designed to provide enough force to compress the o-ring for a proper seal. Keep firm pressure against the lid snap while lifting it away.
3. Repeat with remaining lid snap(s).
4. Remove the housing back.



Inserting the Camera

1. Remove any lanyard or neck strap which may be attached to the camera.

2. Check to see whether the camera's lens will fit through the port opening of the housing. If not, the lens will need to be removed from the camera body and reattached AFTER the camera body is installed in the housing.
3. Remove the camera mounting plate from the housing.
4. Line up the Mounting Screw with the Camera Tripod Socket. Use a coin or flat head screwdriver (preferred) to tighten the mounting plate to the camera.



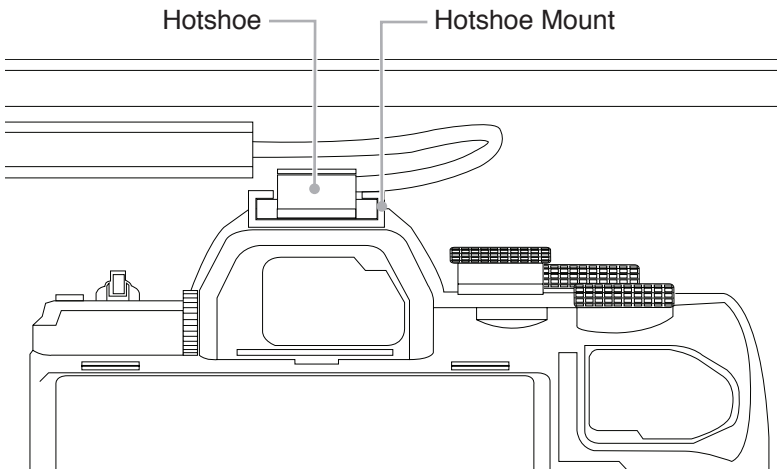
5. Pull out on the housing control knobs to move the controls out of the way.
6. Insert the Mounting Plate into the slot on the inside bottom of the housing. Push the camera all of the way forward until the back of the Mounting Plate is flush with the Housing Plate Mount Top Rib, page 5.

Attaching the Hotshoe

1. Make sure the Hotshoe and camera contacts are clean.

2. Slide Hotshoe all the way forward into the camera Hotshoe mount. Push the Hotshoe forward until it is unable to go any farther. The Hotshoe must be pushed all the way forward to make proper contact with the camera and provide TTL operation. Make sure the Hotshoe wire does not interfere with any housing control operations.

NOTE: Camera flash will still function when hotshoe is attached to camera.



Closing the Housing

1. Make sure the o-ring is clean and in its proper location on the back of the housing. The main o-ring does not require lubricant to make a seal.
2. Place the back onto the housing front.
3. Make sure no controls or wires are interfering with the o-ring or the back of the housing.
4. Place each lid snap into the corresponding hook on the housing back.

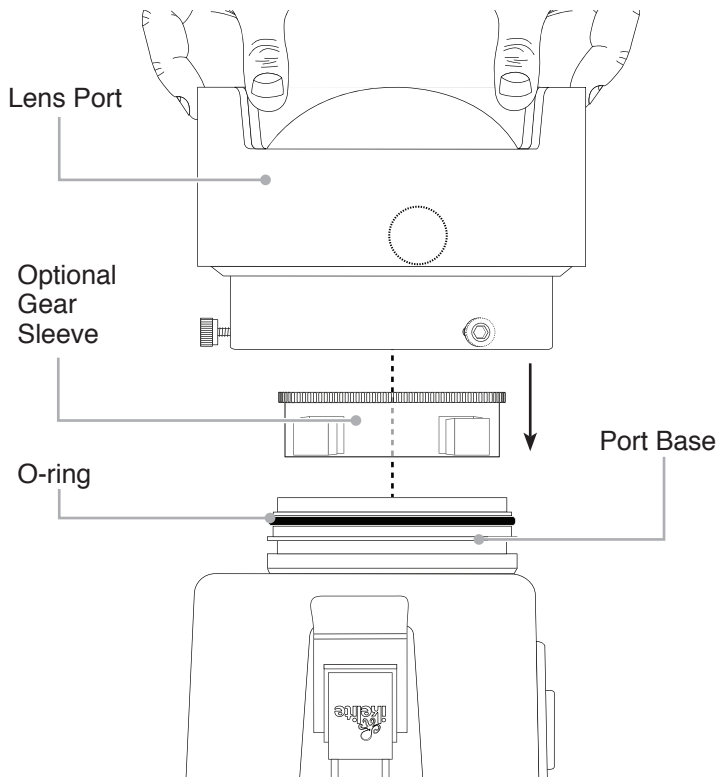
5. Push the lid snaps towards the housing until they are flat against the housing and the lock has engaged. Close opposing lid snaps at the same time.
6. Check the o-ring seal. The o-ring should form a uniform, solid line around the back of the housing. There will be a small, even gap around the housing between the housing back and the housing front.

Attaching the Lens Port

A compatible lens port is required for waterproof operation. Never submerge the housing without a lens port attached.

1. Lightly lubricate the o-ring on the Port Base. When properly lubricated, the o-ring should have an even, slightly shiny appearance. Wipe off any excess lubricant. Lubricant prevents the o-ring from rolling or extruding; it is not a sealing mechanism.

2. If using an optional Gear Sleeve, place it in the Port Base with the teeth side facing away from the housing.



3. If using an optional Gear Sleeve, place it in the Port Base with the teeth side facing away from the housing.
4. Slide the Lens Port onto the housing Port Base and press evenly down towards the housing until it stops. There should be a very thin, even gap between the bottom of the port and the housing front.
5. If using a dome with a shade, rotate the lens port gently so that the wider extensions are oriented on the top and bottom. If the shade is not aligned properly, it may cause vignetting (dark shadows in the corner of the image).

Final Check

1. Re-check the o-ring seal. The seal should form an even, solid line around the back of the housing.
2. Turn on the camera and check all control functions.
3. Make sure that the camera can obtain focus and take a photo.
4. Check battery life and open storage space on your memory card.
5. Check the flash/strobes, if using.
6. Submerge the housing in a fresh water tank dedicated to underwater photography equipment. Visually confirm that there are no signs of water intrusion or a steady stream of bubbles coming from one of the housing seals.

Entering the Water

1. If possible, we recommend entering the water without your housing to ensure that you are comfortable and your life-saving equipment is in working order. Once you are stable, have someone pass your camera housing to you.
2. As soon as you enter the water, take a moment and check to see that the housing is properly sealed. If possible, first water test the housing with no camera inside to assure a safe and watertight environment.
3. Submerge the housing at the surface of the water and visually confirm that there are no signs of water intrusion or a steady stream of bubbles coming from one of the housing's seals. If water does appear to be entering the housing, point the lens port downward and return the housing to the surface as quickly as possible. Please observe all necessary safety precautions. NEVER ascend faster than accepted safety limits.
4. Use your hand to gently flush away any small bubbles that may be on the face of the lens port. Bubbles will produce soft focus spots in your photo or video.

Setting Up An External Strobe

About the Built-In Flash

The camera's built-in flash cannot light a subject underwater due to the housing's opaque design. The built-in flash CAN be used to trigger a fiber optic strobe.

We recommend attaching an external strobe for the optimal color and clarity in a wide variety of shooting situations, including daylight photography. An external strobe may be triggered via electrical sync cord or fiber optic cord.

About Sync Cords

Attaching a strobe via electrical sync cord provides faster strobe recycle times as compared to a fiber optic connection, and prolongs camera battery life.

When a compatible Ikelite DS strobe is attached via sync cord, circuitry built into the housing allows the strobe to communicate directly with the camera to trigger the strobe and adjust its power for perfect exposure.

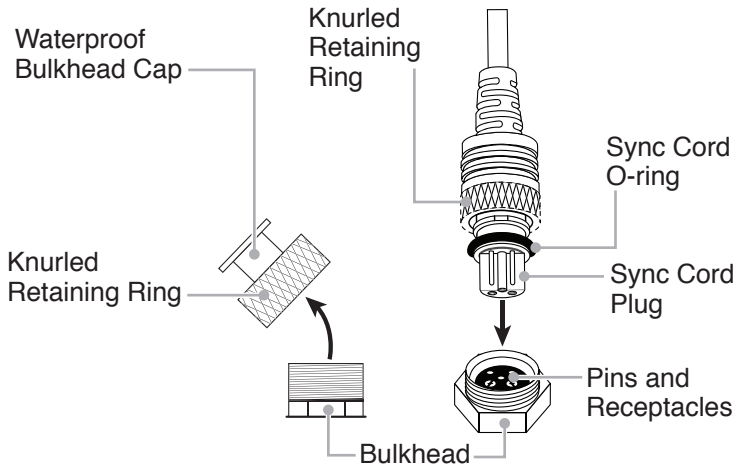
Strobes from SEA&SEA, INON, and Nikonos attached by electrical sync cord are not capable of powering the TTL circuitry built into this housing. These strobes must be used in manual power modes when connected via electrical sync cord.

Attaching a Sync Cord

A bulkhead cap or sync cord must be attached to the housing for waterproof operation. Never submerge the housing without either a sync cord or waterproof bulkhead cap attached.

1. Remove the bulkhead cap.

2. Lightly lubricate the sync cord o-rings. We recommend using only Ikelite silicone lubricant to eliminate the possibility of swelling due to incompatible compounds.
3. Line up the pins and receptacles and gently insert the sync cord plug into the housing bulkhead. DO NOT force or rush this installation. The sync cord will not go into the bulkhead if the Pins and Receptacles are misaligned.



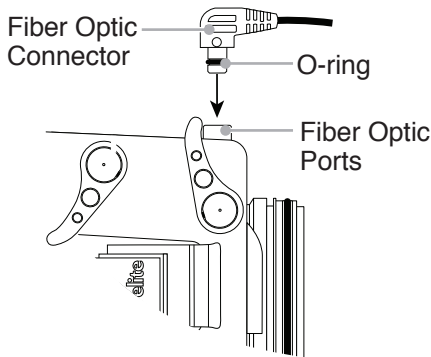
4. Attach the other end of the sync cord to the bulkhead on your strobe.
5. If using an Ikelite strobe, set the strobe to TTL. If using a non-Ikelite strobe, set the strobe to manual flash and select a manual power setting.
6. Turn on the strobe(s).
7. Turn on the camera.
8. Take a test photo to ensure that your strobe(s) are functioning properly.

About Fiber Optic Cords

Attaching a strobe via fiber optic connection requires the camera's built-in flash to fire each time a photo is taken. Firing the camera's flash will cause increased lag time in between photos and decrease camera battery life.

Attaching a Fiber Optic Cord

1. Check the end of the fiber optic cord to ensure that it is clean and smooth.



2. Ensure that the fiber optic cord o-ring is in place. This o-ring does not provide waterproofing, however it does keep the fiber optic cord in place.
3. Attach one end of the fiber optic cord into one of the fiber optic ports on the front of the housing. The connector is a press-fit into the fiber optic port.
4. Attach the other end of the fiber optic cord to a compatible strobe.
5. Set the strobe to the appropriate setting based on manufacturer recommendations.
6. Turn the camera on and pop up the built-in flash.
7. Turn the strobe(s) on.
8. Take a test photo to ensure that your strobe(s) is functioning properly.

Installing an Accessory via the Accessory Port

1. Remove the Hole Plug using an 11/16" open end wrench.
2. Check the accessory fitting o-ring sealing area. Check o-ring and housing o-ring sealing area. All should be clean and free of hair, sand, or other debris.
3. Lightly lubricate o-ring with Ikelite lubricant. Use ONLY Ikelite lubricant. Other manufacturer lubricants can cause the o-ring to swell.
4. Carefully screw in and tighten accessory fitting. The accessory port features a 1/2-20 threaded hole. Make sure your fitting is the same thread pattern. DO NOT cross-thread. DO NOT overtighten.
5. After installing an accessory, pressure test the housing by diving without a camera inside.
 - » **DO NOT remove the Accessory Port Hole Plug unless you are installing a compatible accessory like Vacuum Kit # 47012.**

Maintenance

Post-Dive

1. Rinse the housing in fresh water. Rotate the housing's controls and press each button while submerged in fresh water to flush out any salt or debris to ensure smooth operation on future dives.
2. NEVER leave your housing in the fresh water rinse tank. Collisions with other peoples' gear can cause scratches or damage to your equipment.
3. Stow the housing in a shaded place where it is protected from impact or overheating. If no shade is available, we recommend covering the housing with a towel or cloth.
4. Check the memory card capacity and battery life of your camera and strobe(s). Recharge as necessary.

5. Always recheck o-ring seal after opening the housing.

Travel and Storage

1. Remove the camera from the housing for travel or storage.
2. Check the main housing o-ring.
3. Close the empty housing and submerge in lukewarm fresh water. While submerged, rotate each control and depress each button to flush out any salt or debris.
4. Remove the housing from water and rinse with running water.
5. Do not rinse the inside of the housing or submerge the open housing in water. If the inside of the housing needs to be cleaned, wipe with a clean, slightly damp cloth.
6. Dry the housing with a clean, lint-free cloth.
7. Store in a cool, dry place.
8. Like regulators and other pressure-sensitive equipment, we recommend careful care and cleaning along with annual replacement of the factory seals.

Troubleshooting

Water enters the housing

- Re-clean and re-install the main o-ring.
- Take the housing underwater without a camera installed to ensure that the leaking has been corrected.

Photos are over-exposed (too light)

- Adjust aperture (smaller), shutter speed (faster), or ISO (lower) setting.
- Move light(s) farther away from your subject.

- Adjust exposure compensation in the camera.
- Adjust lighting power.

Photos are under-exposed (too dark)

- Adjust aperture (larger), shutter speed (slower), or ISO (higher) setting.
- Move light(s) closer to your subject.
- Adjust exposure compensation in the camera.
- Adjust lighting power.

Strobe will not fire

- Turn on strobe and make sure it is properly charged.
- Remove Hotshoe from camera mount if using a fiber optic strobe. The internal camera flash is disabled when the Hotshoe is connected.
- Make sure that the camera's flash is set to fire on every photo.
- Check that the fiber optic cord or sync cord is properly attached.

Buttons are stuck

- Soak the housing in lukewarm fresh water. Depress each button several times while the housing is submerged.
- Apply lubricant to the button. Press the button several times to distribute the lubricant.

Button(s) or control(s) do not line up

- Ensure that nothing is preventing the camera from going into the housing.
- Push the camera mounting plate forward until it is flush with the housing base plate.

- Camera should be “tight” against the mounting plate. Check tightness using a coin or screwdriver (preferred).

Camera is not functioning normally underwater

- Ensure that the camera mounting plate is pushed all of the way into the housing mounting plate.
- Check each housing control while underwater to ensure that they are disengaged. An inadvertently engaged control may limit functioning of the camera.

Backscatter or “snow” in images

- Position strobes or lights farther away from your lens and at a slight angle.
- Avoid using strobes in extremely low-visibility conditions.

Spare Parts

- Spare Rear O-Ring # 0110
- Spare Front O-Ring # 0132.36
- Waterproof bulkhead cap # 9104.7
- Port Securing Thumbscrews (Set of 3) # 9249.6

Limited Warranty

This Ikelite product is warranted against any manufacturing defects for a period of two (2) years from the original date of purchase. Defective products should be returned to Ikelite postage paid. Ikelite will, at its sole discretion, repair or replace such products, and will return to customer postage paid. All other claims of any nature are not covered. Except as mentioned above, no other warranty expressed or implied applies to this Ikelite product.

Service and Repairs

Ikelite is most interested in performing any service to ensure that all products perform as intended. Evidence of purchase date must be provided to obtain warranty service. No prior authorization is required. You may return directly to us or through your dealer. Please include a brief description of the problem, any relevant email correspondence, and/or description of the service request. Always include name, shipping address, email address, and phone number inside of the package.

Send postage paid to:

Ikelite Underwater Systems
Attn: Service Department
50 West 33rd Street
Indianapolis, IN 46208 USA

For the separate international customs documentation form that you complete to accompany the shipment, please state or designate that the enclosed products were originally manufactured in the USA and are being returned to the manufacturer for repair service. Value of the equipment listed for customs purposes should be zero.

Contact Us

If you have any questions about your product or need advice on getting the images you want, please contact us and we'll do everything we can to help you capture your unique perspective.

Ikelite Underwater Systems
50 W 33rd St.
Indianapolis, IN 46208 USA
(317) 923-4523
ikelite@ikelite.com