



## Straight Magnified Viewfinder

Product # 6890 / 6890.1

### Included in the Box

- Viewfinder
- Cap
- Attachment tool
- Spare o-ring

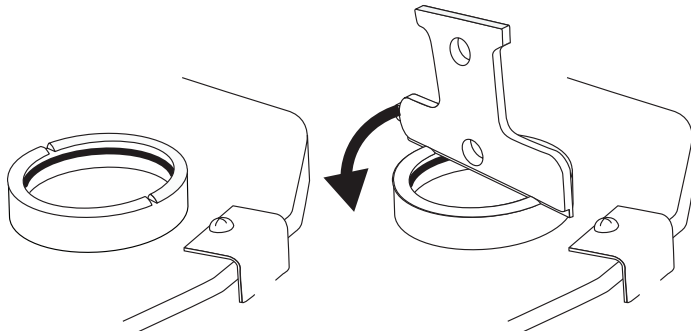
### Important Notices

- » Do not expose the threaded end of the viewfinder to water. The viewfinder is not waterproofed from the threaded end.
- » Do not use alcohol or glass or surface cleaners on the viewfinder.
- » It is recommended to remove the viewfinder from the housing before packing for shipment or travel.

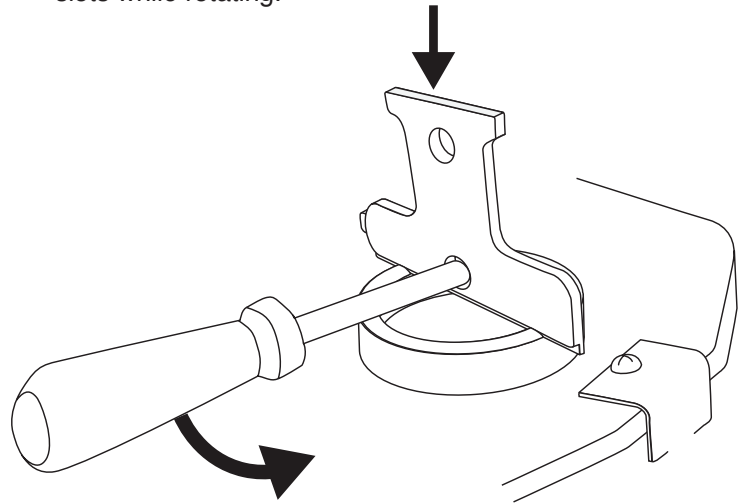
### Installation and Use

#### Removing the Standard Viewfinder

1. Align the long, thin edge of the tool with the slots in the standard viewfinder.



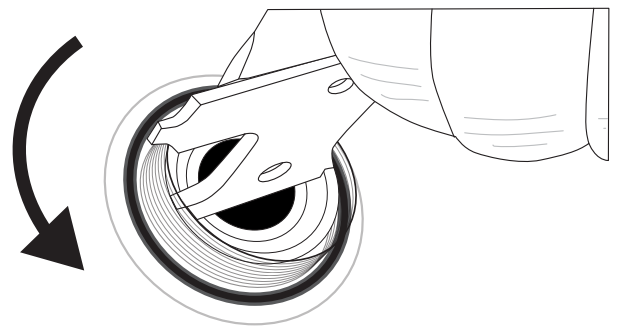
2. Gently rotate the tool counter-clockwise to loosen and remove the viewfinder. If additional leverage is required, a screwdriver may be inserted in the tool. Apply downward pressure on the tool to keep it from slipping out of the slots while rotating.



3. Store the standard viewfinder in a cool, dry location.

#### Attaching the Magnified Viewfinder

1. Check that the o-ring, sealing surface, and threads are clean and free of debris. It is not recommended to lubricate the o-ring prior to installation.
2. Thread the viewfinder clockwise into the housing back by hand.
3. From the inner side of the housing back, align the narrow end of the tool with the notches in the threaded end of the viewfinder.



4. Orient the viewfinder to the landscape position to correspond with the camera's viewfinder. Hold in this position from the outside of the housing while completing the next step.
5. Turn the tool counter-clockwise to tighten. The o-ring will form a solid, dark line as it compresses and forms a waterproof seal.

## Testing the Housing

1. Assemble the housing without a camera installed.
2. Submerge the housing in fresh water for several minutes.
3. Remove the housing from water and dry the outside of the housing with a clean, lint-free cloth.
4. Look through the back of the housing for signs that water has entered the housing. Signs include fogging or water droplets.
5. We recommend making at least one dive without a camera installed to ensure waterproof operation.

## Maintenance and Storage

### Post-Dive

1. Rinse the housing with in clean, fresh water.
2. NEVER leave your housing in the fresh water rinse tank. Collisions with other gear can cause scratches or damage to your equipment.
3. Dry the housing and viewfinder with a clean micro fiber lens cleaning cloth.
4. Attach the protective cap.
5. Stow the housing in a shaded place where it is protected from impact or overheating. If no shade is available, we recommend covering the housing with a towel or cloth.

### Travel and Storage

1. Clean and dry the exterior of the viewfinder. Do not use any type of alcohol or glass or surface cleaner on the viewfinder.
2. Attach the protective cover.
3. Store in a cool, dry place.

## Limited Warranty

This Ikelite product is warranted against any manufacturing defects for a period of one (1) year from the original date of purchase. To obtain warranty service, the product must be returned to Ikelite postage paid. Ikelite will, at its sole discretion, repair or replace such products, and will return to customer postage paid. All other claims of any nature are not covered. Except as mentioned above, no other warranty expressed or implied applies to this Ikelite product.

## Contact Us

Ikelite Underwater Systems  
50 W 33rd St  
Indianapolis, IN 46208 USA  
(317) 923-4523  
ikelite@ikelite.com