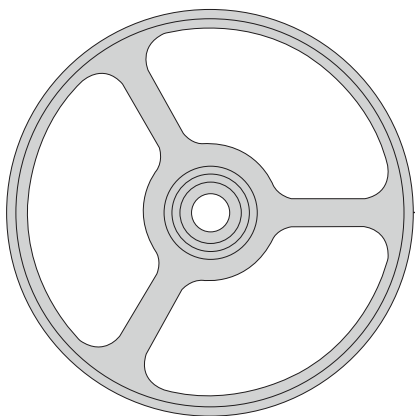




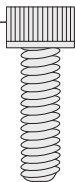
6406 Lens Holder for 67mm Threaded Lenses

Instruction Manual

Included in Kit



1/4-20 x 7/8
Cap Screw
Qty. 1



Lens Holder 67mm
Thread - Qty. 1

1/4-inch Nylon
Washer - Qty. 2



1/4-inch Split
Lockwasher
Qty. 1



1/4-inch Flat Stainless
Washer - Qty. 1



1/4-inch Hex
Jam Nut - Qty. 1



Thank you for your purchase of Ikelite equipment. Please read this instruction manual completely before attempting to operate or dive with this product.

Product Details

The 6406 anodized aluminum **Lens Holder** allows for the attachment of 67mm accessory lenses threaded to an Ikelite Ball Arm Extension Mark II. Simply attach the holder to the middle of any Ikelite Ball Arm Extension Mark II, and then thread your lens on.

Two Lens Holders may be combined back to back to hold both your wide angle and macro lens on the same arm section. This holder is NOT compatible with 1/2- or 3/4-inch Flex Arms. If you have an older 1-inch ball arm extension without a slot, purchase a new arm extension and re-use your existing clamps.

Attach Lens Holder to Ball Arm - Diagram A, Page 3

1. Remove Nut, Lockwasher, and Stainless Washer from Cap Screw.
2. Line up Lens Holder index angle with Arm Slot and slide the Cap Screw end through the Slot.
3. Replace Stainless Washer, Lockwasher and Nut on Cap Screw.
4. Adjust to preferred position on arm. Tighten firmly using a 3/16-inch hex head wrench and pliers or 7/16-inch socket wrench (not included).

Combine Two Lens Holders Back-to-Back - Diagram B, Page 3

1. Remove Nut, Lockwasher, and Stainless Washer from Cap Screw.
2. Line up second Lens Holder index angle with Arm Slot and slide Lens Holder onto the Cap Screw.
3. Place extra Nylon Washer, Lockwasher and Nut on Cap Screw.
4. Adjust to preferred position on arm. Tighten firmly using a 3/16-inch hex head wrench and 7/16-inch socket wrench (not included).

Diagram A

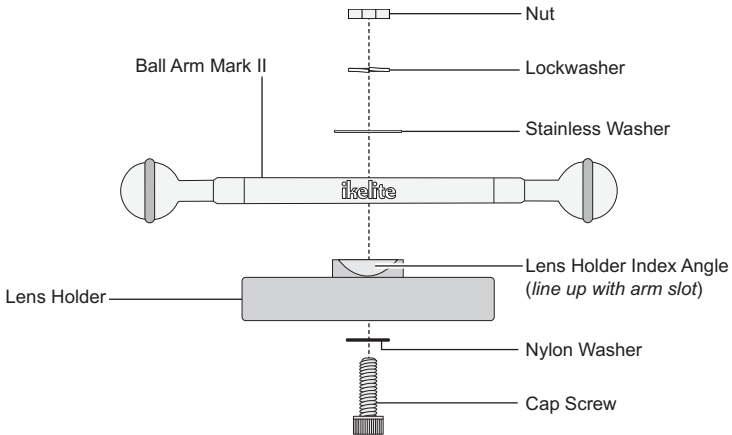
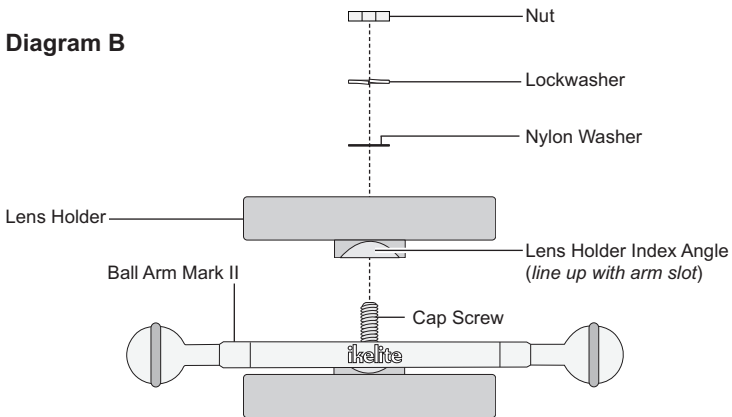


Diagram B



Spare Parts

Can be ordered through any Ikelite dealer or by calling Ikelite customer service

- 0184.2 Silicone lubricant 2cc resealable tube

Customer Support

**Ikelite Underwater Systems
Service Department
50 West 33rd St.
Indianapolis, IN 46208 USA**

Email: ikelite@ikelite.com

Phone: 317-923-4523

Limited Warranty

This Ikelite product is warranted against any manufacturing defects for a period of one (1) year from the original date of purchase. Defective products should be returned to Ikelite postage paid. Ikelite will, at its sole discretion, repair or replace such products, and will return to customer postage paid. All other claims of any nature are not covered. Except as mentioned above, no other warranty expressed or implied applies to this Ikelite product.



**Ikelite Underwater Systems
50 West 33rd Street
Indianapolis, IN 46208 USA**

www.ikelite.com

© 2015 Ikelite Underwater Systems