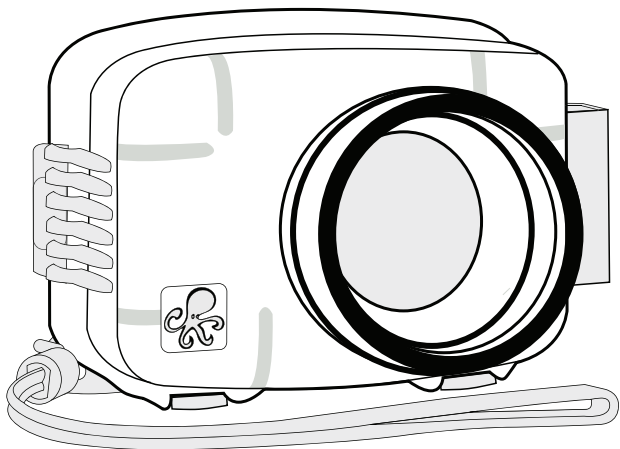




Digital Housing

Supplemental Instructions

6282.36 Nikon Coolpix S3600



Thank you for your purchase of Ikelite equipment. Please read the "Instruction Manual" and "Supplemental Instructions" completely before attempting to operate or dive with this product.

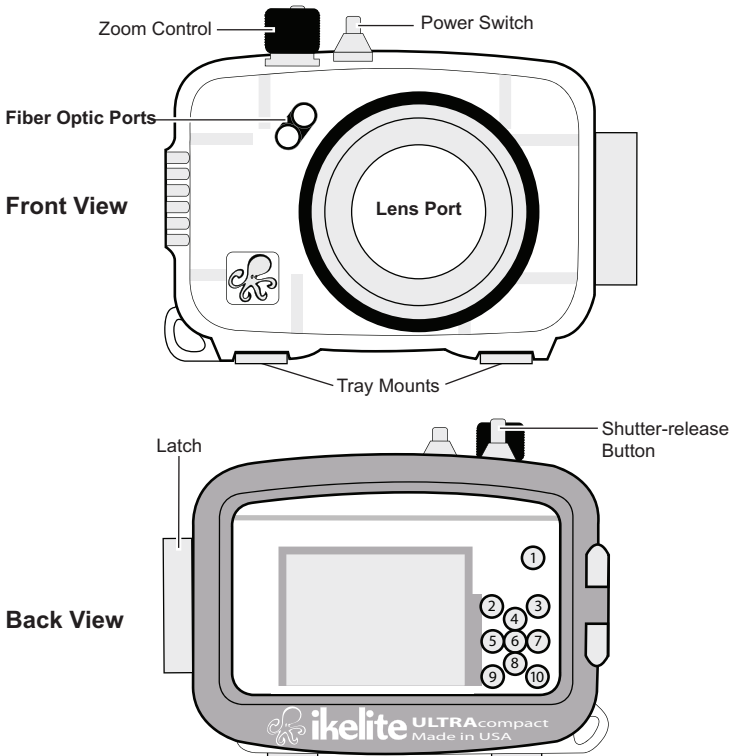
Supplied Accessories

- 0200 Vinyl Port Cover
- 0321.10 Safety Lanyard
- Flash Diffuser
- Flash Deflector
- 0184.1 Silicone Lubricant
- Extra Control Tips and Sleeves

Housing Specifications

Controls	All camera functions
Width	5.9 in (150 mm) including controls
Height	4.5 in (114 mm) including controls
Depth	4.1 in (104 mm) including controls
Weight	1.2 lb (544 g)
Buoyancy	Slightly positive in freshwater
Depth Rating	200 ft (60 m)
Built-in Flash	Yes
Strobe Connection	Slave or Fiber Optic
Tray Mounting	12-24 thread with 3 in spacing (76 mm)
Main O-Ring0132.45
Port O-Ring0103
Port Outer Diameter	3.0 in (76 mm)
Use 46mm Lenses	No
Use 67mm Lenses	Yes (moderate vignetting possible)
Use Bayonet Lenses	No



Parts of the Housing



1. ●▶ Movie-record Button
2. 📷 Shooting Mode Button
3. ▶ Playback Button
4. ⚡▲ Flash Mode, Up Arrow
5. ◀ Self-timer, Left Arrow

6. OK/Apply Selection Button
7. ⚡▶ Exp. Comp./Right Arrow
8. 🌸▼ Macro Mode/Down Arrow
9. MENU Button
10. 🗑 Delete Button

Initial Camera Settings (before placing camera in housing)

- Insert fully charged battery.
- In **Shooting Menu**:
 - Set Image mode to “20m.”
 - Set White balance to “Auto.” If more accurate colors are desired, we recommend setting manual white balance underwater using a white slate or white sandy bottom. Manual white balance should be reset for each working depth due to color absorption caused by the water. When adding a UR-Pro color filter, reset manual white balance.
 - Set Continuous to “S” Single.
 - Set ISO sensitivity to “200.”
 - Set AF area mode to “Center” and Autofocus Mode to “AF-S” Single AF.
 - Set Quick effects to “Off.”
- In **Setup Menu**:
 - Set Time Zone and Date.
 - In Monitor Settings set Image Review to “ON.”
 - Set Photo VR to “On.”
 - Set Motion Detection, AF-assist beam and Digital Zoom to “Off.”
 - Set Auto off to “5 min.”
 - Insert and format a SD or SDHC memory card.
 - Set Blink warning to “OFF.”
- Set Flash Mode to “Fill flash .
- Set Macro mode  to “On” when shooting close-up. If the image is overexposed, use “-” exposure compensation and/or back away, zoom in, and then reshoot.
- * All other camera functions not mentioned should be set the user’s desired settings.

External Accessory Lenses

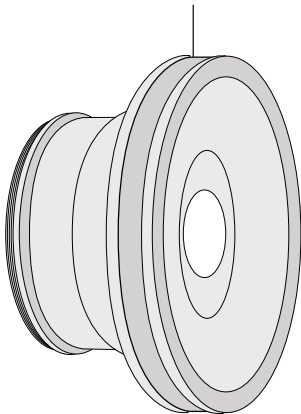
W-20 and W-30 Wide-Angle Conversion Lenses

The front of the lens port accepts the Ikelite 6420 W-20, 6430 W-30, and other 67mm threaded wide angle or macro lenses without the need for an adapter. An external wide angle conversion lens increases angle of coverage so you can get closer to the subject while still fitting everything. Moderate vignetting will likely occur at widest angle camera lens setting with these lenses. Zoom in to eliminate, or crop the image in post processing.

Bayonet mount lenses cannot be used with this housing.

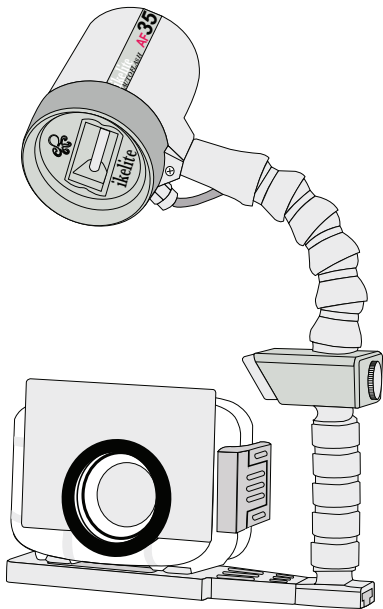
Please visit www.ikelite.com for additional information.

Ikelite 6430 W-30 Conversion Lens



AF35 Strobe Package 4035

The AutoFlash AF35 kit is a great compliment, and an effortless, affordable way to add a flash to your new Ikelite point and shoot camera system. Everything you need to get started is in the box. Just attach it to the bottom of your housing and start taking pictures!



The AF35 Strobe Package is available to support your housing along with a full range of accessories. Please visit www.ikelite.com to see the most current information about recommended accessories for your housing.

Customer Support

Please read the troubleshooting section of the “Instruction Manual” before contacting Ikelite.

Limited Warranty

This Ikelite product is warranted against any manufacturing defects for a period of one (1) year from the original date of purchase. Defective products should be returned to Ikelite postage paid. Ikelite will, at its sole discretion, repair or replace such products, and will return to customer postage paid. All other claims of any nature are not covered. Except as mentioned above, no other warranty expressed or implied applies to this Ikelite product.



**Ikelite Underwater Systems
50 West 33rd Street
Indianapolis, IN 46208 USA**

www.ikelite.com

© 2014 Ikelite Underwater Systems

6282.36_ Nikon_S3600_Supplemental_1-0414