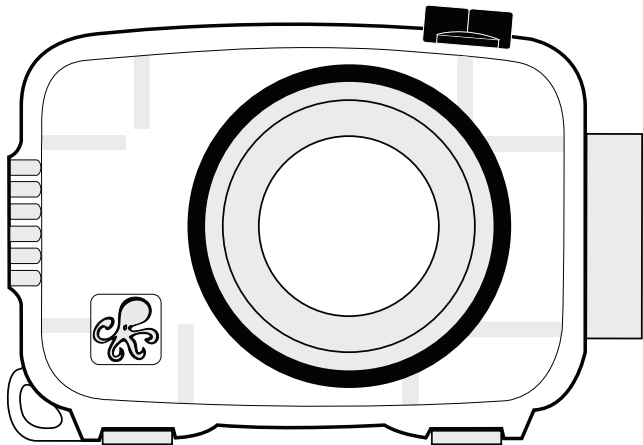




Digital Housing Supplemental Instructions

6280.31 Nikon L30 ULTRAcompact Housing

6280.32 Nikon L30 ULTRAcompact Housing Package

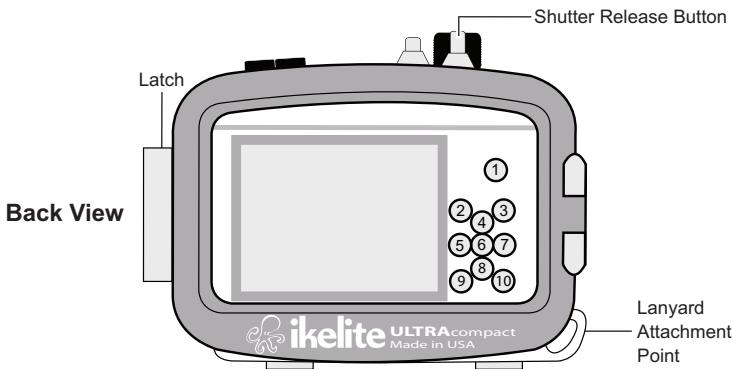
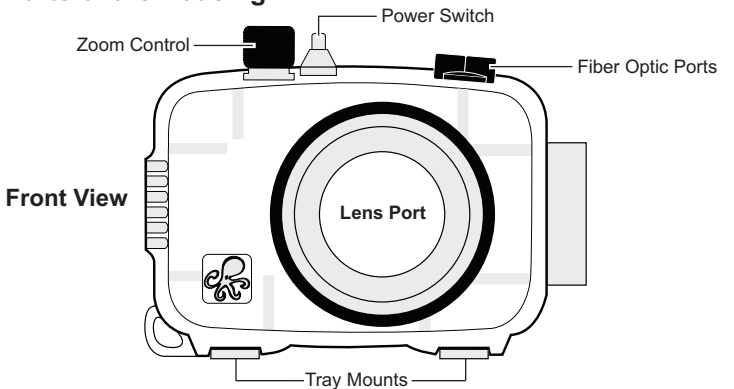


Thank you for your purchase of Ikelite equipment. Please read the "Instruction Manual" and "Supplemental Instructions" completely before attempting to operate or dive with this product.

Housing Specifications (no camera installed)







| | |
|-----------------------------|--|
| Controls |All camera functions |
| Width |5.8 in (147 mm) including controls |
| Height |4.5in (114 mm) including controls |
| Depth |3.6 in (91 mm) including controls & lens port |
| Weight |1.2 lb (544 g) |
| Buoyancy |Slightly positive in freshwater |
| Depth Rating |200 ft (60 m) |
| Built-in Flash |Yes |
| Strobe Connection |Slave |
| Tray Mounting |12-24 thread with 3 in spacing (76 mm) |
| Main O-Ring |0132.45 |
| Port O-Ring |0134.33 |
| Port Outer Diameter |3.0" (76 mm) |
| Use 46mm Lenses |No |
| Use 67mm Lenses |Yes |
| Use Bayonet Lenses |No |
| Supplied Accessories |0200 Vinyl Port Cover |
| |0321.10 Safety Lanyard |
| |Flash Diffuser |
| |Flash Deflector |
| |0184.1 Silicone Lubricant |
| Spare Parts |5020 Silicone lubricant in 4 1cc tubes |
| |0200 Vinyl port cover |
| |9523.10 Mounting hardware kit 12-24 x 1/2" |


Parts of the Housing



- | | | |
|---------------------------|-------------------|----------------|
| 1. ●▶ Movie-record Button | 5. ◀ Self-timer, | 9. MENU Button |
| 2. 📷 Shooting Mode Button | 6. ● OK | 10. 🗑️ Delete |
| 3. ▶ Playback Button | 7. 📏▶ Exp. Comp., | |
| 4. ⚡▲ Flash Mode, | 8. 🌸▼ Macro Mode, | |

L30 Camera Initial Camera Settings

- Press the  button and set the shooting mode to  Auto Mode, not Easy Auto, Scene Modes or Smart Portrait.
- Set Flash to  “Fill Flash.”
- Preset the following functions in the  Menu Settings:
 - Set Image Mode to “20m.”
 - Set White Balance to “Auto.” For more accurate colors, we recommend setting manual white balance underwater using a white slate, white sandy bottom or your hand. Manual white balance should be reset for each working depth due to color absorption caused by the water. When adding a UR-Pro color filter, reset manual white balance.
 - Set Continuous to “S” Single.
 - Set Color Options to V1 “Vivid Color.”
- Preset the following functions in the  Menu Settings:
 - Set Autofocus Mode to “AF-S.”
- Preset the following functions in the  Menu Settings:
 - Set Time Zone and Date.
 - Set Electronic VR to “Auto.”
 - Set AF assist to “OFF.” A strobe focusing light is recommended to assist AF underwater.
 - Set Auto off to “5m” and Sleep mode to “OFF.”
 - Insert and format a SD or SDHC memory card.

Note: Enable Macro  mode when shooting close-up subjects. If overexposure occurs, back away from the subject and zoom in. If overexposure continues, use “-” exposure compensation.

External Accessory Lenses

W-20 and W-30 Wide-Angle Conversion Lenses

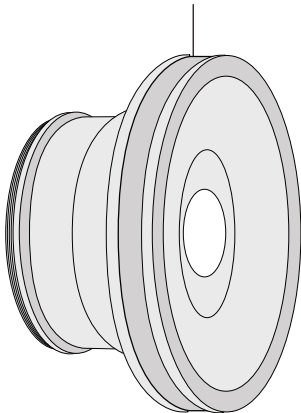
The front of the lens port accepts the Ikelite 6420 W-20, 6430 W-30, and other 67mm threaded wide angle or macro lenses without the need for an adapter. An external wide angle conversion lens increases angle of coverage so you can get closer to the subject while still fitting everything in the frame.

Slight to moderate vignetting will occur at widest angle camera lens setting with these lenses. Zoom in to eliminate, or crop the image in post processing. **NOTE:** The L30 will not vignette at widest angle setting underwater when using the W-30 lens.

Bayonet mount lenses cannot be used with this housing.

Please visit www.ikelite.com for additional information.

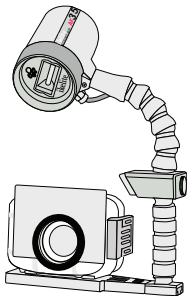
Ikelite 6430 W-30 Conversion Lens



AF35 Strobe Package 4035

The AutoFlash AF35 kit is a great compliment, and an effortless, affordable way to add a flash to your new Ikelite point and shoot camera system. Everything you need to get started is in the box. Just attach it to the bottom of your housing and start taking pictures!

The AF35 Strobe Package is available to support your housing along with a full range of accessories. Please visit www.ikelite.com to see the most current information about recommended accessories for your housing.



L30 AF35 Strobe Compatibility

AutoFlash AF35 Kits with a Serial Number below 1900 may overexpose when used with the Nikon Coolpix L30 camera system. AF35 Kits with a Serial Number of 1900 or greater do not require modification for use with the Nikon L30 camera. If necessary, strobes may be returned to Ikelite postage prepaid for a complimentary electronics update. Please include a brief letter of explanation with full contact information and send to the Ikelite Service Department at the address below.

*Ikelite Underwater Systems
Attention: Service Department
50 West 33 Street
Indianapolis, IN 46208 USA*

No reimbursements for postage paid will be issued.

You may also want to insure the package.

Customer Support

Please read the troubleshooting section of the “Instruction Manual” before contacting Ikelite.

Limited Warranty

This Ikelite product is warranted against any manufacturing defects for a period of one (1) year from the original date of purchase. Defective products should be returned to Ikelite postage paid. Ikelite will, at its sole discretion, repair or replace such products, and will return to customer postage paid. All other claims of any nature are not covered. Except as mentioned above, no other warranty expressed or implied applies to this Ikelite product.



Ikelite Underwater Systems
50 West 33rd Street
Indianapolis, IN 46208 USA

www.ikelite.com

© 2014 Ikelite Underwater Systems