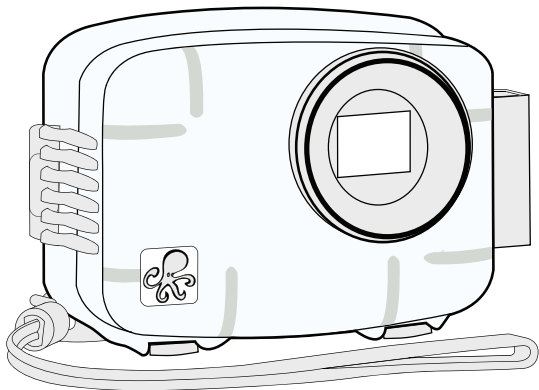




Digital Housing

Supplemental Instructions

6270.03 for Panasonic DMC-TS3, FT3, TS4, FT4



Size and Weight

Width5.9 in. (150mm) including controls

Height4.7 in. (119mm) including controls

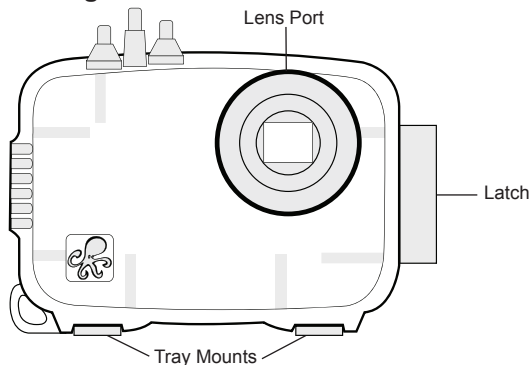
Depth.....3.2 in. (81mm) including controls & lens port

Weight1 lb. (454g)

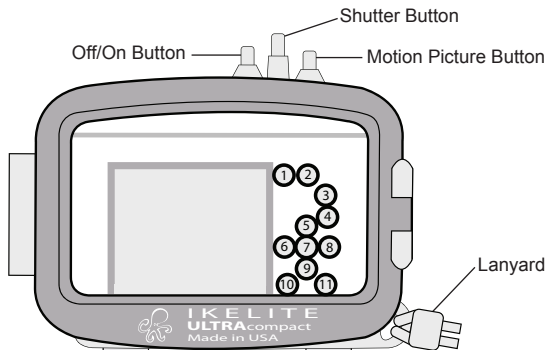
Buoyancy.....Slightly positive in fresh water

Parts of the Housing

Front View






Back View



- | | |
|----------------------------|------------------------|
| 1. Zoom Button (Wide) | 7. MENU/SET Button ● |
| 2. Zoom Button (Telephoto) | 8. Flash ⚡ Setting, ▶ |
| 3. Playback Button | 9. Macro Mode 🐾, ▼ |
| 4. Mode Button | 10. Display Button |
| 5. Exp. Comp. 📷, ▲ | 11. Q. Menu / Delete 🗑 |
| 6. Self-timer, ◀ | |

Initial Camera Settings

- Set Date and Time.
- Insert and Format an SD memory Card (2 GB or higher recommended).
- Set Auto Review to “HOLD.”
- Set Rec Mode to “ Normal Picture”, not underwater mode. ISO cannot be set in the underwater mode.
- Set ISO to “100.”
- Set White Balance to “AWB.”
- Set Flash to Fill to “Forced Flash On .
- Set Macro Mode to “AF Macro .
- Set Picture Size to “12m.”
- Set Quality to “Fine.”
- Set Image Stabilizer to “ON.”
- Set Red-Eye Removal to “OFF.”
- Set AF Assist Lamp to “OFF.”
- Set Minimum Shutter Speed to “1/60.”
- Set AF Mode to “1-Area.”
- Set Quick AF to “OFF.”

Notes: If overexposure occurs, back away from the subject and zoom in.

- A strobe focusing light is recommended to assist autofocus underwater.
- For increased screen brightness turn on “Power LCD.”

External Accessory Lenses

An external wide angle conversion lens increases angle of coverage so you can get much closer to your subject while still fitting everything in the frame. By reducing the amount of water between the subject and your camera lens, the resulting image will be more crisp and colorful.

Attach 67mm threaded 6420 Ikelite W-20, Inon Type II and Epoque lenses using the 9306.78 port adapter. This adapter may also be used to attach 67mm threaded macro lenses.

External Accessory Lenses (cont.)

Attach bayonet style Inon macro or UWL-100 28AD, UWL-105AD and UFL-165AD wide angle or macro lenses using the 9306.85 port adapter.

Moderate vignetting (shading in the corners) will be present in the widest angle camera setting when using an external accessory lens. This effect can be eliminated by zooming in slightly.

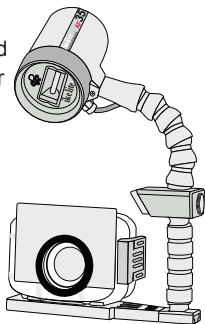
AF35 Strobe Package #4035

The AutoFlash AF35 kit is a great compliment, and an effortless, affordable way to add a flash to your new Ikelite point and shoot camera system.

Everything you need to get started is in the box. Just attach it to the bottom of your housing and start taking pictures!

AF35 AutoFlash kit includes:

AF35 strobe - Flex arm - AutoFlash sensor
Handle with rubber grip - Tray (single or dual)
Mounting hardware.



A full range of accessories is available to support your housing. Please visit http://www.ikelite.com/web_two/pan_ts3.html to see the most current information about recommended accessories for your housing.

Ikelite Technical Support

E-mail: ikelite@ikelite.com

Phone 317.923.4523

Fax 317.924.7988



Ikelite Underwater Systems
50 West 33rd Street
Indianapolis, IN 46208 USA
www.ikelite.com