



Digital Housing
Supplemental Instructions
6243.70 Canon Elph 170, IXUS 170

Thank you for your purchase of Ikelite equipment. Please read the “Instruction Manual” and “Supplemental Instructions” completely before attempting to operate or dive with this product.

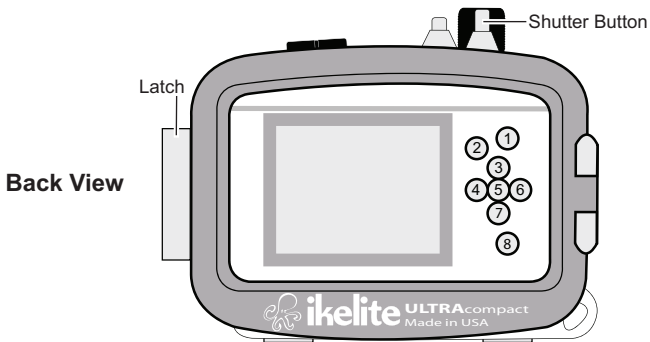
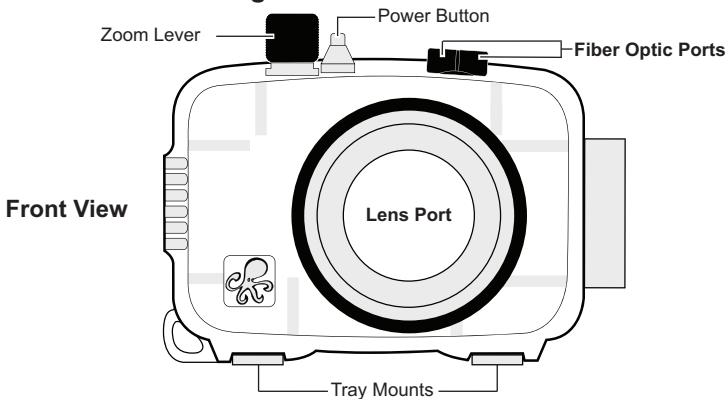
Supplied Accessories

- 0200 Vinyl Port Cover
- 0321.10 Safety Lanyard
- Flash Diffuser
- Flash Deflector
- 0184.1 Silicone Lubricant
- Extra Control Tips and Sleeves

Housing Specifications





Controls	All camera functions except (Help) button
Width	5.9 in (150 mm) including controls
Height	4.5 in (114 mm) including controls
Depth	4.2 in (107 mm) including controls
Weight	1.3 lb (5.9 kg)
Buoyancy	Slightly positive in freshwater
Depth Rating	200 ft (60 m)
Built-in Flash	Yes
Strobe Connection	Slave or Fiber Optic
Main O-Ring	0132.45
Port Outer Diameter	3.0 in (76 mm)
Use 46mm Lenses	No
Use 67mm Lenses	Yes (moderate vignetting present with W/A lenses)
Use Bayonet Lenses	No



Parts of the Housing



- | | |
|---------------------------------------|---------------------------------------|
| 1. Movie Button | 5. FUNC./SET Button |
| 2. Playback Button | 6. Flash / Right Button |
| 3. Auto/Single Erase/UP Button | 7. DISP. Display / Down Button |
| 4. ECO Button | 8. MENU Button |

Initial Camera Settings (before placing camera in housing)

- Insert a fully charged battery. Due to the power required to operate the camera and LCD screen, start each dive with a fully charged camera battery.
- Set Flash to “On”  Flash always fires.”
- **In FUNC./SET:**
 - Set Shooting Mode to “P” Program.
 - Set ISO to “200.”
 - Set White Balance to Auto “AWB.” For best results, set to Custom  and reset for each working depth.
 - Set Light Metering to “ Center Weighted Avg.”
 - Set Movie Quality to “HD.”
 - Set Image Recording Size to “L” 20M.
 - Set Drive Mode to Single Shooting.
 - Set Focus Range to “Normal” or “ Macro” for close-up shots.
- **In MENU Shooting Settings:**
 - Set AF Frame to “Center”
 - Set Digital Zoom, AF-Point Zoom and Servo AF to “Off.”
 - Set Continuous AF to “On.” A strobe focusing light is recommended to assist AF underwater.
 - Set Lamp Setting and Red-Eye Corr. to “Off.”
 - Set Review Image after shooting to “8 Seconds.”
 - Set Blink Detection and Grid Lines to “Off.” Set IS Mode to “Continuous.”
- **In MENU Camera Settings:**
 - Set Date/Time and Time Zone.
 - In Power Saving, set Auto Power Down to “Off”; Display Off to “3 min.”
 - Insert and Format a memory card.

Notes: Enable Macro  mode when shooting close-up subjects. If overexposure occurs, back away from the subject and zoom in, and/or use “-”  exposure compensation.

Camera functions not mentioned should be set to user’s desired setting.

External Accessory Lenses

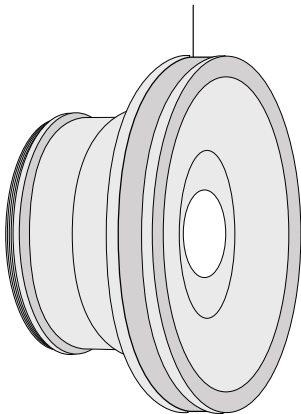
W-20 and W-30 Wide-Angle Conversion Lenses

The front of the lens port accepts the Ikelite 6420 W-20, 6430 W-30, and other 67mm threaded wide angle or macro lenses without the need for an adapter. An external wide angle conversion lens increases angle of coverage so you can get closer to the subject while still fitting everything in. Moderate vignetting will likely occur at widest angle camera lens setting with these lenses. Zoom in to eliminate, or crop the image in post processing.

Bayonet mount lenses cannot be used with this housing.

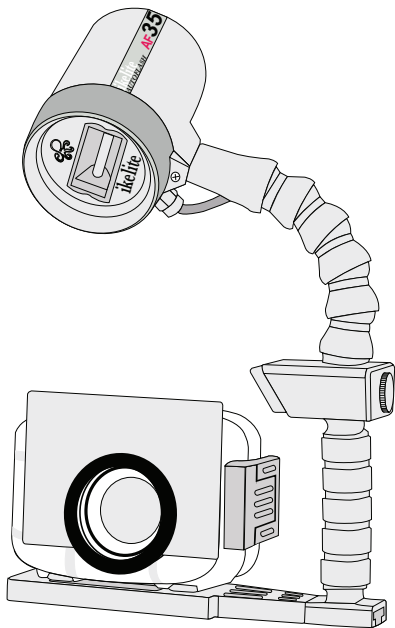
Please visit ikelite.com for additional information.

Ikelite 6430 W-30 Conversion Lens



AF35 Strobe Package 4035

The AutoFlash AF35 kit is a great compliment, and an effortless, affordable way to add a flash to your new Ikelite point and shoot camera system. Everything you need to get started is in the box. Just attach it to the bottom of your housing and start taking pictures!



The AF35 Strobe Package is available to support your housing along with a full range of accessories. Please visit ikelite.com to see the most current information about recommended accessories for your housing.

Customer Support

Please read the troubleshooting section of the “Instruction Manual” before contacting Ikelite.

Limited Warranty

This Ikelite product is warranted against any manufacturing defects for a period of one (1) year from the original date of purchase. Defective products should be returned to Ikelite postage paid. Ikelite will, at its sole discretion, repair or replace such products, and will return to customer postage paid. All other claims of any nature are not covered. Except as mentioned above, no other warranty expressed or implied applies to this Ikelite product.



**Ikelite Underwater Systems
50 West 33rd Street
Indianapolis, IN 46208 USA**

ikelite.com

© 2015 Ikelite Underwater Systems

6243.70_ Canon_Elph_170_1-0315