



ULTRAccompact Housing for Olympus Tough TG-3, TG-4

Product # 6233.04

Included in the Box

- Housing
- O-ring # 0132.45 (installed)
- Port cover # 0200 (installed)
- Lanyard # 0321.10
- Anti-reflection ring
- Silicone lubricant 1cc tube

Important Notices

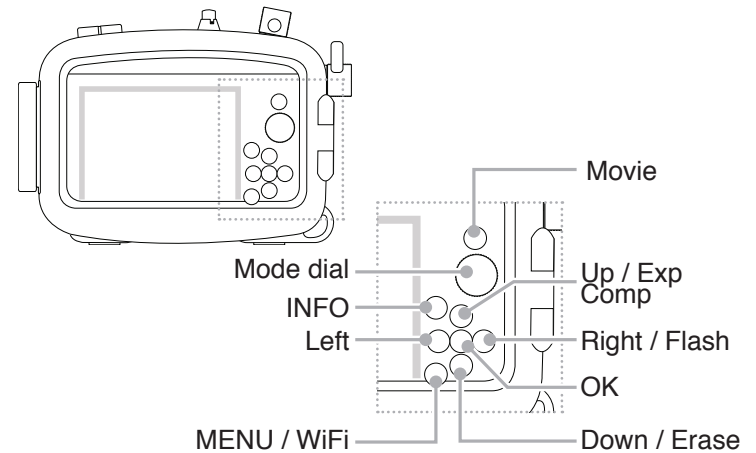
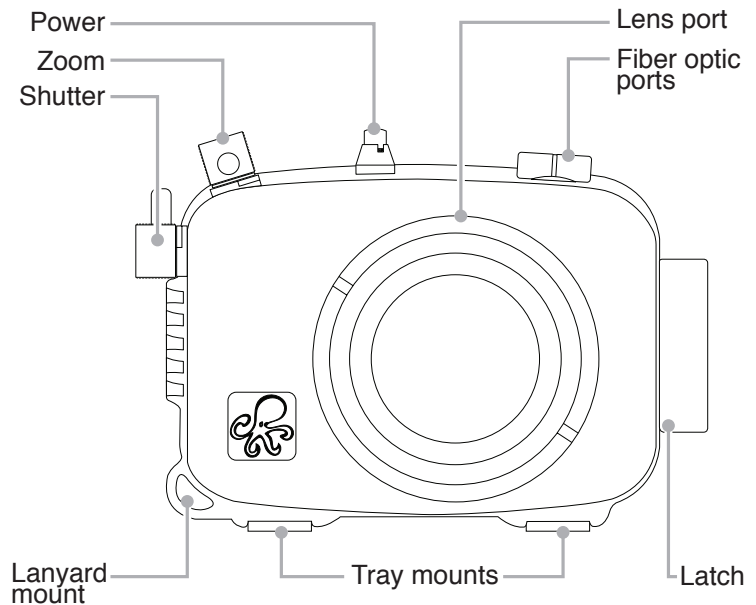
- » **Do not use alcohol, cleaning agents, spray lubricants, Rain-X, or other solvents on the housing or lens port. Use of an incompatible chemical compound can damage the plastic or component o-rings, which may result in leaking.**
- » **Assemble in a cool, dry location. To avoid fogging, do not open in a humid environment. Dry the housing completely before opening.**

Lanyard Mount

The included lanyard is a break-away safety lanyard which is designed to break if stress is placed on it. This is important so that the user can break free if the equipment is caught on something underwater.

The lanyard is not designed to support the weight of the housing and should not be used as a carrying strap. Carrying the housing by the lanyard may result in damage to the lanyard and/or housing.

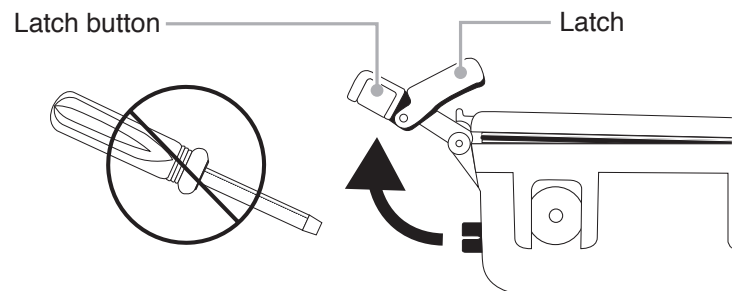
A different lanyard with a thin cord may be attached to the housing using the lanyard mount on the corner of the housing.



Installation and Use

Opening the Housing

1. Depress both latch buttons at the same time and rotate the latch away from the housing.

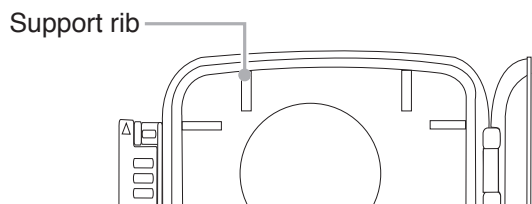


2. The back of the housing will be compressed by pressure underwater or after air travel. Rotate the latch fully to break the seal of the housing. Do not use metal objects or tools to pry the back open.
3. Lift the latch up and away from the housing.

- Carefully open the housing back.

Installing the Camera

- Remove any lanyard, neck strap, or accessory attached to the camera.
- Remove the protective backing from the anti-reflection ring and adhere it to the front of the camera centered around the lens. This will reduce reflections in sunny and flash lit conditions.
- Place the camera into the front of the housing with the lens centered in the lens port.
- Make sure the camera is sitting flat in the housing and flush to the front support ribs.



Closing the Housing

- Apply a very thin, even layer of lubricant to the exposed portion of the o-ring and housing sealing surface. Avoid dry spots or uneven build-up of lubricant.
- Close and latch the housing back. Press the latch towards the housing until the lock buttons click into place.
- Check the latch. The buttons will not be depressed when the latch is properly locked. Pulling on the latch without pressing the buttons should not allow the latch to open.

Maintenance

Post-Dive

- Rinse the housing in fresh water. Rotate the housing controls and press each button while submerged in fresh water to flush out any salt or debris to ensure smooth operation on future dives.
- NEVER leave your housing in the fresh water rinse tank. Collisions with other peoples' gear can cause scratches or damage to your equipment.
- Store the housing in a shaded place where it is protected from impact or overheating. If no shade is available, we recommend covering the housing with a towel or cloth.

Travel and Storage

- Remove the camera from the housing for travel or storage.
- Check and lubricate the main housing o-ring.
- Close the empty housing and submerge in lukewarm fresh water. While submerged, rotate each control and depress each button to flush out any salt or debris.
- Remove the housing from water and rinse with running water.
- Do not rinse the inside of the housing or submerge the open housing in water. If the inside of the housing needs to be cleaned, wipe with a clean, slightly damp cloth.
- Dry the housing with a clean, lint-free cloth.
- Store in a cool, dry place.
- Like regulators and other pressure-sensitive equipment, we recommend careful cleaning along with annual replacement of the factory seals.

Limited Warranty

This Ikelite product is warranted against any manufacturing defects for a period of two (2) years from the original date of purchase. To obtain warranty service, the product must be returned to Ikelite postage paid. Ikelite will, at its sole discretion, repair or replace such products, and will return to customer postage paid. All other claims of any nature are not covered. Except as mentioned above, no other warranty expressed or implied applies to this Ikelite product.

Contact Us

Ikelite Underwater Systems
50 W 33rd St
Indianapolis, IN 46208 USA
(317) 923-4523
ikelite@ikelite.com

Product Registration

Please register your product within 15 days of purchase. Our product registration database is the quickest way for us to contact you in the event of a product update.

To register, send a photo of the above registration label to us via ikelite@ikelite.com along with your name, address, and phone number.