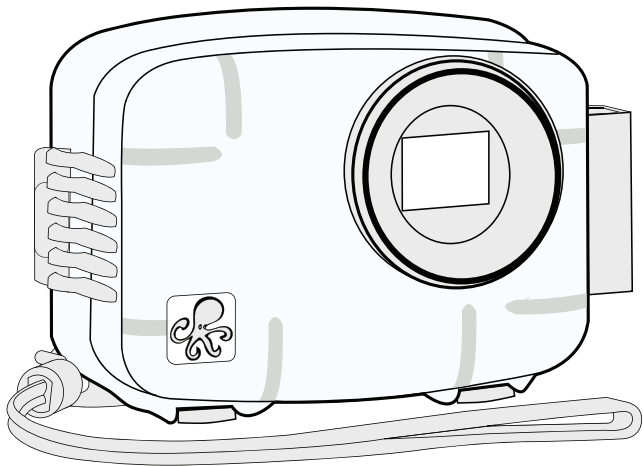




Digital Housing Supplemental Instructions 6215.01 for Sony DSC-TF1



Thank you for your purchase of Ikelite equipment. Please read the "Instruction Manual" and "Supplemental Instructions" completely before attempting to operate or dive with this product.

Housing Specifications

Controls	All camera functions accessed
Width	5.9 in (150 mm) including controls
Height	4.6 in (117 mm) including controls
Depth	3.0 in (76 mm) including controls
Weight	1 lb. (454 g)
Buoyancy.....	Slightly positive in freshwater
Depth Rating	200ft (60m)
Built-in Flash	Yes
Strobe Connection.....	Slave
Tray Mounting	12-24 thread with 3 in spacing (76mm)
Main O-Ring	0132.45
Port O-Ring	0134.33
Port Outer Diameter	2.2 in (55 mm)
Use 46mm Lenses.....	No
Use 67mm Lenses.....	No
Use Bayonet Lenses	No

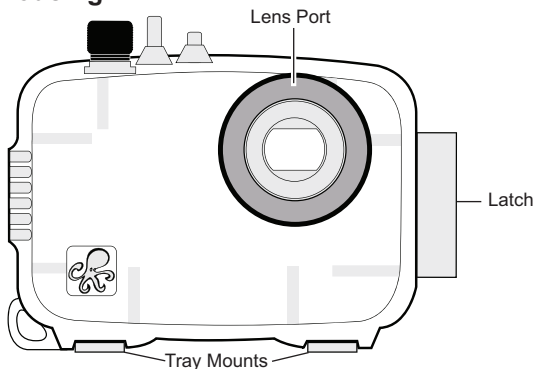
Supplied Accessories

- 0200.02 Vinyl Port Cover
- 0321.10 Safety Lanyard
- Flash Diffuser
- Flash Deflector
- 0184.1 Silicone Lubricant
- Replacement control tips/sleeves

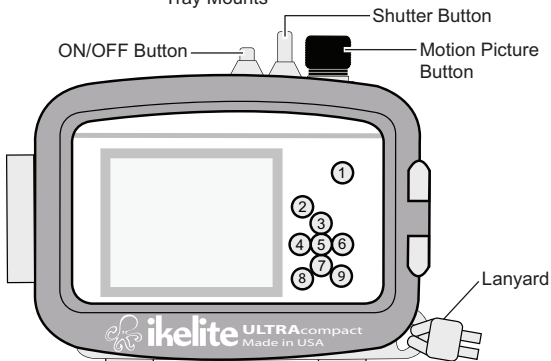
A full range of accessories is available to support your housing. Please visit <http://www.ikelite.com> to see the most current information about recommended accessories for your housing.

Parts of the Housing

Front View







Back View



1. Mode Button
2.  Playback Button
3.  Up Arrow
4.  Left Arrow / Self-Timer
5.  Set Button
6.  Right Arrow / Flash
7.  Down Arrow
8. **MENU** Button
9.  In-Camera Guide / Delete

Initial Camera Settings (before placing camera in housing)

- Insert and Format a high capacity SD or SDHC memory card.
- Set REC Mode to “P” Program Auto.
- Set Still Image Size to “16M.”
- Set  to “Macro Auto”: Auto focus from closeup to infinity.
- Set ISO to “200.”
- Set White Balance to “WB Auto.”
- Set Focus to “Center AF.”
- Set Metering Mode to “Center .
- Set Smile Shutter to “Off.”
- Set DRO to “DRO Standard.”
- In  Menu Screen:
 - Set AF Illuminator and Red-Eye Reduction to “Off.”
 - Set Power Save to “Off.”
 - Set Digital Zoom to “Off.”
 - Set Date and Time.
- Set Flash to “On  Always use flash.”

NOTE: If overexposure occurs, use “-” exposure compensation “EV” and/or back away from your subject and zoom in. When using an AF35 strobe or manual controller, turn the power down.

Customer Support

Please read the troubleshooting section of the “Instruction Manual” before contacting Ikelite.



Ikelite Underwater Systems
50 West 33rd Street
Indianapolis, IN 46208 USA

www.ikelite.com

© 2013 Ikelite Underwater Systems

6215.01_Sony_TF1_1-0713