



Underwater Housing for Panasonic Lumix DMC-ZS50, TZ70

Product Number 6170.50

Product Registration

Please register your product at ikelite.com within 15 days of purchase. Our product registration database is the best way for us to contact you in the event of a product update.

About this Product

Thank you for your purchase of Ikelite equipment. Please read this instruction manual completely before attempting to operate or dive with this product. Please visit ikelite.com to register your product to receive information on any updates or notices pertaining to your equipment.

Included in the Box

- Housing
- O-ring # 0109 (installed)
- Port cover # 0200.08 (installed)
- Silicone lubricant

Important Notices

- » **To prevent salt build-up and sticking controls, submerge the empty housing in clean, freshwater. Operate the controls several times each while underwater to flush out any residue.**
- » **Never leave a housing in a rinse tank, even if it is the only system in the tank. Most catastrophic floods happen when the user walks away from a housing while it is in the rinse tank.**
- » **Do not use alcohol, cleaning agents, spray lubricants, Rain-X, or other solvents on the housing or lens port. Use of an incompatible chemical compound can damage the plastic and o-rings, and may result in leaking.**
- » **Always assemble in a cool, dry location. Opening the housing in a humid environment will lead to fogging.**

Contents

Product Registration	1
About this Product	2
Included in the Box	2
Important Notices	3
Getting to Know Your Housing	6
Setting Up Your Camera	8
Pre-Installation Checklist & Initial Camera Settings.....	8
Setting Up Your Housing	8
Opening the Housing.....	8
Installing the Camera.....	9
Closing the Housing.....	9
Final Check.....	10
Entering the Water.....	11
Zoom Control.....	11
Using the Built-in Flash	12
Using the Flash Diffuser.....	12
Installing the Flash Diffuser.....	12
Setting Up An External Strobe	13
Using the Flash Deflector.....	13
Installing the Flash Deflector.....	14
About Fiber Optic Cords.....	14
Attaching a Fiber Optic Cord.....	15
Maintaining Your Housing	16
Post-Dive.....	16
Lens Port.....	16
Storage.....	17
Servicing Recommendations.....	17
Lubricating Controls	17
Lubricating Push Buttons.....	18

Lubricating Control Shafts.....19

Troubleshooting.....21

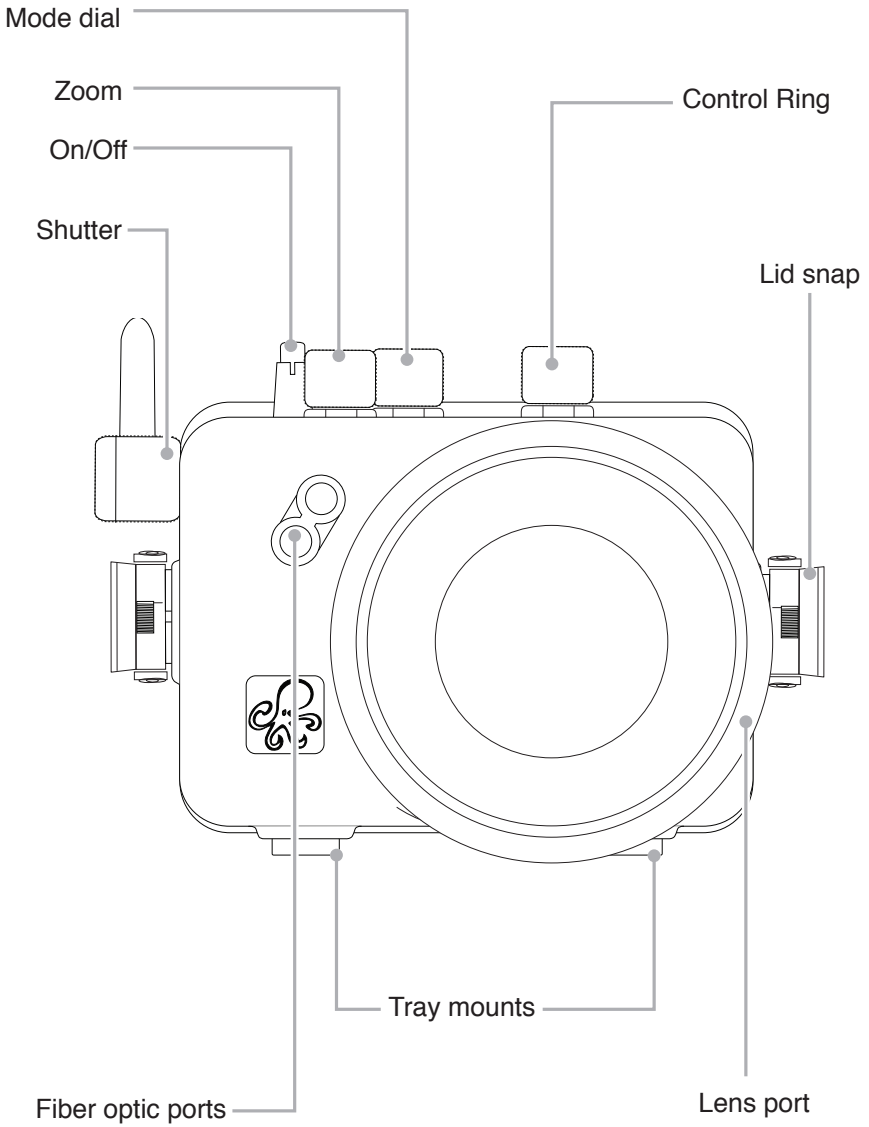
Spare Parts.....23

Limited Warranty.....23

Service and Repairs.....23

Contact Us.....24

Getting to Know Your Housing



Setting Up Your Camera

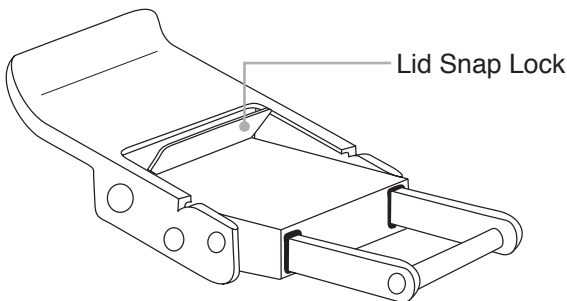
Pre-Installation Checklist & Initial Camera Settings

1. Set Flash Mode to “Forced Flash On” when connecting a fiber optic strobe.
2. Set Red-Eye Removal to “OFF.”
3. Set AF Assist Lamp to “OFF.”
4. Insert a fully charged camera battery.
5. Insert a properly formatted memory card.

Setting Up Your Housing

Opening the Housing

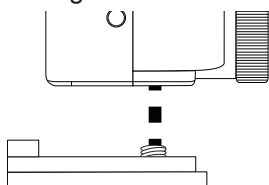
1. Push the lid snap lock forward and start to lift the curved end away from the housing.
2. Lid snaps are designed to provide enough force to compress the o-ring for a proper seal. Keep firm pressure against the lid snap while lifting it away.



3. Repeat with remaining lid snaps.
4. Remove the housing back.

Installing the Camera

1. Remove any lanyard or neck strap which may be attached to the camera.
2. Remove the camera mount plate from the housing.
3. Line the mount screw up with the camera's tripod socket. Use a flat screwdriver to tighten the mount plate to the camera.

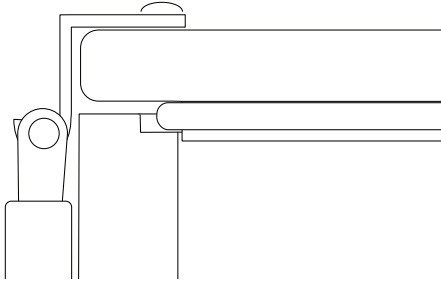


4. Pull out on the housing control knobs to move the controls out of the way.
 5. Insert the mount plate into the slot on the inside bottom of the housing. Push the camera all of the way forward until it stops.
 6. Push housing control knobs in and check orientation with the camera.
- » **The camera's built-in flash cannot be extended once the housing is closed.**

Closing the Housing

1. Make sure the o-ring is clean and in its proper location on the back of the housing. The rear housing o-ring does not require lubricant to make a seal.
2. Place the back onto the housing front.
3. Place each lid snap into the corresponding hook on the housing back.
4. Push the lid snaps towards the housing until they are flat against the housing and the lock has engaged. Close both lid snaps at the same time.

5. Check the o-ring seal. The o-ring should form a uniform, solid line visible through the back of the housing.
6. Check control functions.
7. Check the o-ring seal. The o-ring should form a uniform, solid line around the back of the housing. There will be a small, even gap around the housing between the housing back and the housing front.



Final Check

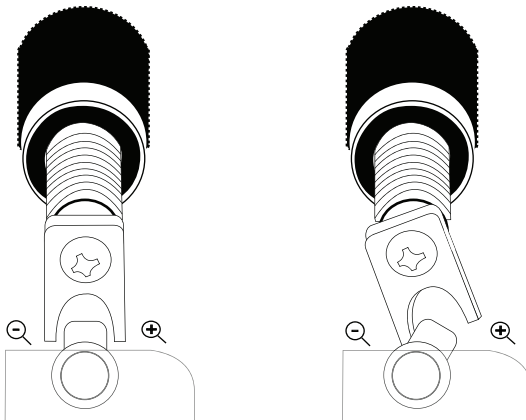
1. Re-check the o-ring seal. The seal should form an even, solid line around the back of the housing.
2. Turn on the camera and check all control functions.
3. Make sure that the camera can obtain focus and take a photo.
4. Check battery life and open storage space on your memory card.
5. Check the flash, if using.
6. Submerge the housing in a fresh water tank dedicated to underwater photography equipment. Visually confirm that there are no signs of water intrusion or a steady stream of bubbles coming from one of the housing seals.

Entering the Water

1. If possible, we recommend entering the water without your housing to ensure that you are comfortable and your life-saving equipment is in working order. Once you are stable, have someone pass your camera housing to you.
2. Submerge the housing at the surface of the water and visually confirm that there are no signs of water intrusion or a steady stream of bubbles coming from one of the housing seals. If water does appear to be entering the housing, point the lens port downward and return the housing to the surface as quickly as possible. Always observe all necessary safety precautions. NEVER ascend faster than accepted safety limits.
3. Use your hand to gently flush away any small bubbles that may be on the face of the lens port. Bubbles will produce soft focus spots in your photo or video.

Zoom Control

After you have used the housing's zoom control, it must be returned to the center position to disengage. If the housing zoom control is pushing the zoom lever in either direction, you may not be able to take a picture or access other functions. This is because the camera is receiving a signal from the engaged zoom control.



Using the Built-in Flash

The camera's built-in flash may be used to illuminate subjects underwater.

Using the Flash Diffuser

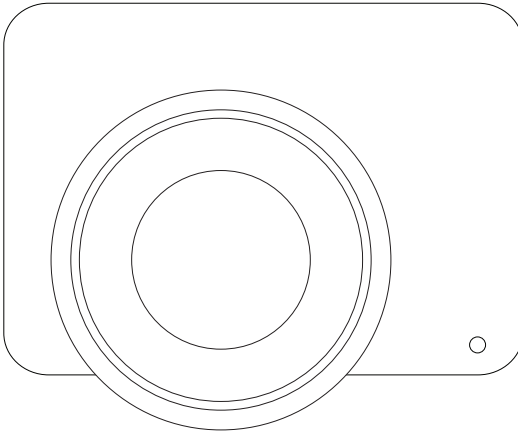
Install the semi-transparent diffuser when using the camera's built-in flash. A portion of the camera's built-in flash may be blocked by the housing's lens port. The diffuser spreads the light of the flash to reduce any effects on the image.

It may be necessary to zoom in when shooting close-up photos to completely eliminate any darkened areas.

Installing the Flash Diffuser

1. The flash deflector must be removed to use the camera's built-in flash to illuminate a photo. If a deflector is installed, lift the bottom with your thumb or a dull instrument and pull away from the housing. The deflector must be removed prior to inserting the camera in the housing.
2. Press the large opening of the flash diffuser over the housing's lens port until it snaps into the groove in the outer circumference of the port. The piece may bend during installation.

3. Orient the diffuser as shown.



4. Remove the diffuser by pulling it away from the port.

- » **A small hole in the corner of the flash diffuser allows it to be attached to your system using a thin string (not included). It is recommended to attach the flash diffuser to your system to avoid accidental loss.**

Setting Up An External Strobe

We recommend attaching an external strobe for the optimal color and clarity in a wide variety of photographic situations, including daylight photography.

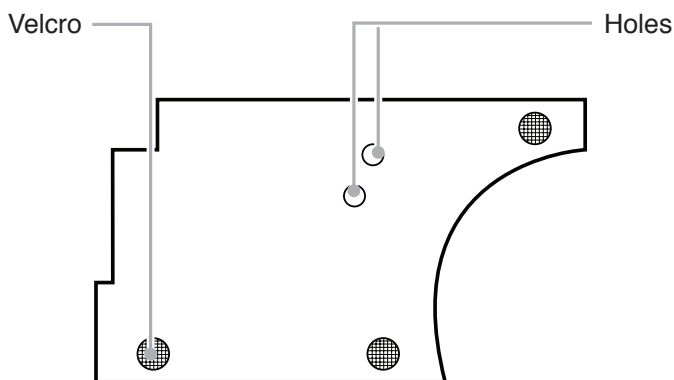
This housing provides fiber optic ports for optical triggering of up to two strobes.

Using the Flash Deflector

Install the opaque white flash deflector when using external strobes. The flash deflector improves transmission of light to the fiber optic ports and reduces unwanted backscatter (the illumination of particles in the water).

Installing the Flash Deflector

1. Only the diffuser or deflector should be installed at any given time. If a diffuser is attached to the port, remove it by pulling it away from the port. The flash deflector must be installed prior to inserting the camera in the housing.
2. Line the velcro dots on the deflector with the velcro dots on the inside of the housing's front. When properly aligned, the holes in the deflector will line up with the fiber optic ports on the housing.



3. Press the deflector firmly into place.
4. To remove the deflector, lift the bottom with your thumb or a dull instrument and pull away from the housing.

About Fiber Optic Cords

Connecting a strobe via fiber optic cord requires the camera's built-in flash to fire for every photo. Rapid firing will be limited to the recycle time of the camera's built-in flash or the recycle time of the strobe, whichever is slower.

The following fiber optic cords are compatible with this housing:

- Ikelite Fiber Optic Cord # 4501
- INON Optical D Cable "Non-wireless type" L-Connector
- SEA&SEA Fiber Optic Cable (L-type) # 50107

- SEA&SEA Fiber Optic Cable II # 50128
 - Olympus UW Fiber Optic Cable # PTCB-E02
 - Nauticam Optical Fiber Cable # 26211 Nauticam to INON
 - Nauticam Optical Fiber Cable # 26212 Nauticam to SEA&SEA
- » **To connect two strobes to the housing, you must use two fiber optic cords.**

Attaching a Fiber Optic Cord

1. Check the end of the fiber optic cord to ensure that it is clean and smooth.
2. Check that the fiber optic cord o-ring is in place. This o-ring does not provide waterproofing, but it does keep the fiber optic cord in place.
3. Attach one end of the fiber optic cord to one of the fiber optic ports on the housing. The connector is a press-fit into the port.



4. Attach the other end of the fiber optic cord to a compatible strobe.
5. Set the strobe according to the manufacturer recommendations.
6. Turn on the strobe.
7. Turn on the camera. Take a test photo to ensure that your strobe(s) are functioning properly.

Maintaining Your Housing

Post-Dive

1. Rinse the housing in fresh water. Rotate the housing controls and press each button several times while submerged in fresh water to flush out any salt or debris to ensure smooth operation on future dives.
2. NEVER leave your housing in a fresh water rinse tank, even if it is the only system in the tank. Collisions with another person's gear can cause scratches or damage to your equipment. Accidental damage occurs most often in the rinse tank.
3. Rinse off any residual residue from the rinse tank with clean, running fresh water.
4. Stow the housing in a shaded place where it is protected from impact and overheating. If no shade is available, cover the housing with a light colored towel or cloth.
5. Check the memory card capacity and battery life of your camera and strobe(s). Recharge as necessary.
6. Always re-check the o-ring seal after opening the housing.

Lens Port

Treat the surface of the lens port like a camera lens. After use, rinse and gently dry the outside lens port to avoid water spotting. Use only a microfiber lens cleaning cloth to avoid scratches. To clean, use a mild soap solution.

- » **Do not rinse the inside of the lens port.**
- » **Do not use alcohol, cleaning agents, spray lubricants, Rain-X, or other solvents on the housing or lens port. Use of an incompatible chemical compound can damage the plastic and o-rings, and may result in leaking.**

Storage

1. Clean the housing and controls thoroughly prior to storage.
2. Remove the rear o-ring. Place in a small re-sealable plastic bag inside of the housing.
3. Leave the lid snaps open to release pressure on the lid snap springs.
4. Store the housing in a cool, dry place away from direct sunlight and chemicals.
5. Before using the housing, check the tightness of the set screw in each control knob. Check each control gland to make sure they are snug. There is a slight chance that either could vibrate loose during travel.
 - » **Do not leave the camera and housing in direct sunlight for prolonged periods. Heat may damage the camera.**
 - » **Do not transport with the camera inside of the housing.**
 - » **Do not store the housing in a humid environment. Prolonged exposure to high humidity may damage electronic components.**

Servicing Recommendations

It is recommended that the housing be sent to Ikelite or an authorized service center annually for routine service and maintenance. Service may be required more or less frequently depending on care and use.

Lubricating Controls

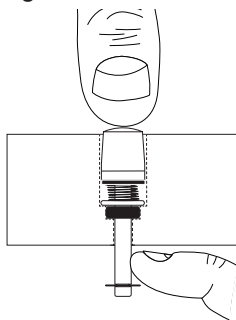
The housing's controls may need to be lubricated if they become particularly difficult to use or if the o-rings have dried out during longer periods of storage.

There will be some breaking force required to move the controls initially after the housing has been in storage for long periods of time. Remove controls for lubrication only if they continue to stick after applying a small amount of lubricant to the exposed portion of the shafts and working them many times.

- » **Use only Ikelite lubricant. Other types of lubricant may cause swelling of o-rings or cracking of plastic components.**
- » **Lubricant is not a sealant; it is used to reduce friction. Excessive lubricant can collect sand, hair or debris which may interfere with proper sealing.**
- » **Never use spray lubricants as the propellant ingredient can cause the plastic housing to crack or o-rings to swell.**

Lubricating Push Buttons

1. Press and hold the push button all the way in.
2. Place a small amount of lubricant at the base of the push button shaft inside the housing.



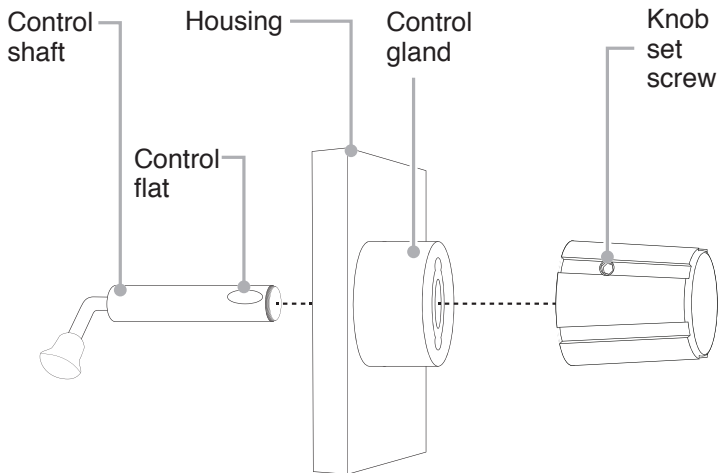
3. Press and release the push button several times to work the lubricant into the o-ring.
4. If a push button control becomes difficult to push or if it sticks when depressed, soak the housing in warm, soapy fresh water. After a few minutes, operate the push button. If this does not correct the problem, return the housing to Ikelite for maintenance.

- » **To prevent build-up of salt, sand, or debris, the push buttons should be flushed with fresh, clean water after every use. Depress each push button while the housing is submerged in fresh water.**
- » **If it is necessary to remove a housing push button, NEVER re-use the e-clip. Push button o-ring kits include replacement e-clips.**
- » **Push buttons look similar but vary in length. Remove and re-install one push button at a time.**

Lubricating Control Shafts

- 1.** Loosen the knob set screw using a hex key. Some set screws are covered by a vinyl sleeve. The vinyl sleeve must be removed prior to loosening the set screw.
- 2.** Remove the control shaft from the inside of the housing.
- 3.** Clean and lightly lubricate the shaft, including the large outer end of the shaft.

4. If there is a spring associated with the control, make sure it is in its proper position.



5. Re-install the shaft from the inside of the housing. Rotate the shaft gently for smooth installation into the gland. Push the control shaft all of the way through until the flat of the shaft is visible on the outside of the housing.
6. Align the knob set screw with the control flat.
7. Tighten the set screw firmly against the flat of the control shaft using a hex key.
8. Check that the set screw is oriented properly by holding the control shaft in place on the inside of the housing while attempting to rotate the control knob on the outside of the housing. If there is rotation, loosen the set screw and realign with control flat; retighten and recheck.
- » **We do not recommend removing the control gland from the housing.**
 - » **Always take the housing underwater to depth without a camera after removing and re-installing controls.**
 - » **Remove and re-install one control at a time.**

- » **DO NOT pull the shutter trigger without a camera installed. You may accidentally detach or damage the control spring.**

Troubleshooting

Water enters the housing

- Check and reinstall the rear o-ring.
- Replace the o-ring if there are any signs of cracks or tears.
- Take the housing underwater to depth without a camera installed to ensure that the leaking has been corrected.

Photos are over-exposed (too light)

- Adjust aperture (smaller), shutter speed (faster), or ISO (lower) setting.
- Move light(s) farther away from your subject.
- Adjust exposure compensation in the camera.
- Adjust lighting power.

Photos are under-exposed (too dark)

- Adjust aperture (larger), shutter speed (slower), or ISO (higher) setting.
- Move light(s) closer to your subject and make sure they are pointed in the right direction.
- Adjust exposure compensation in the camera.
- Adjust lighting power.

Strobe(s) will not fire

- Turn on strobe.
- Check the strobe(s) battery life.

- Restore the camera to factory default settings. There are some camera settings that will prevent an external flash from firing.
- Check camera settings recommended for use with an external strobe in the beginning of this manual.
- Check that the fiber optic cord is properly attached.
- Check that the camera's built-in flash has been raised and is pointing towards the housing's fiber optic ports.

Button(s) are sticking

- Soak the housing in lukewarm fresh water. Depress each button several times while the housing is submerged. Rinse the housing with running fresh water.
- Lubricate the controls.

Button(s) or control(s) not operating

- Tighten the camera mounting plate with a screwdriver.
- Ensure that nothing is preventing the camera from going all of the way into the housing.
- Check that the camera mounting plate is pushed all of the way forward.

Camera is not functioning normally underwater

- Check each housing control while underwater to ensure that they are disengaged. An inadvertently engaged control may limit functioning of the camera.
- Check that no controls are being accidentally pressed.
- Check that the zoom control is in the center deactivated position.
- Check that the shutter is not half depressed. If the shutter spring has been damaged by activation without a camera installed, it may not return properly. Adjust or replace the shutter spring.

Backscatter or “snow” in images

- Reposition strobe(s) or light(s) to light up the subject only and not the water in-between the camera and subject.
- Avoid using strobes in extremely low-visibility conditions.

Spare Parts

Rear o-ring # 0109

Port cover # 0200.08

Silicone lubricant # 5020

Push button o-ring kit # 6201.03

Limited Warranty

This Ikelite product is warranted against any manufacturing defects for a period of two (2) years from the original date of purchase. Defective products should be returned to Ikelite postage paid. Ikelite will, at its sole discretion, repair or replace such products, and will return to customer postage paid. All other claims of any nature are not covered. Except as mentioned above, no other warranty expressed or implied applies to this Ikelite product.

Service and Repairs

Ikelite is most interested in performing any service to ensure that all products perform as intended.

No prior authorization is required. You may return directly to us or through your dealer. Please include a brief description of the problem, any relevant email correspondence, and/or description of the service request. Always include name, shipping address, email address, and phone number inside of the package. Send postage paid to:

Ikelite Underwater Systems
Attention: Service Department
50 W 33rd St
Indianapolis, IN 46208 USA
+1 (317) 923-4523
service@ikelite.com

For detailed instructions on returning your product for service including important information on international customs documentation, please refer to our website at:

<https://www.ikelite.com/pages/service-repairs>

Contact Us

If you have any questions about your product or need advice on getting the images you want, please get in touch with us and we'll do everything we can to help you capture your unique perspective.

Ikelite Underwater Systems
50 W 33rd St
Indianapolis, IN 46208 USA
+1 (317) 923-4523
ikelite@ikelite.com