



Underwater Housing for Sony Cyber-shot RX100 Mark III, Mark IV, Mark V

Product Number 6116.15

About this Product

Thank you for your purchase of Ikelite equipment. Please read this instruction manual completely before attempting to operate or dive with this product. Please visit ikelite.com to register your product to receive information on any updates, notices, or recalls pertaining to your equipment.

Included in the Box

- Housing # 6116.15
- Port cover # 0200
- Silicone lubricant 1cc tube

Specifications

- 200 ft (60m) depth rating
- Controls for all camera functions except Flash switch and Viewfinder switch
- Slightly negative buoyancy in fresh water
- 1/4-20 thread tray mounting with 3 in (76mm) spacing
- Weight 2.6 lb (1180 g)
- Dimensions 6.8 x 5 x 5.4 in (173 x 127 x 137 mm)
- 3.0-inch diameter glass lens port

Important Notices

- » **Never leave a housing in a rinse tank, even if it is the only system in the tank. The vast majority of catastrophic floods happen when the user walks away from a housing while it is in the rinse tank.**

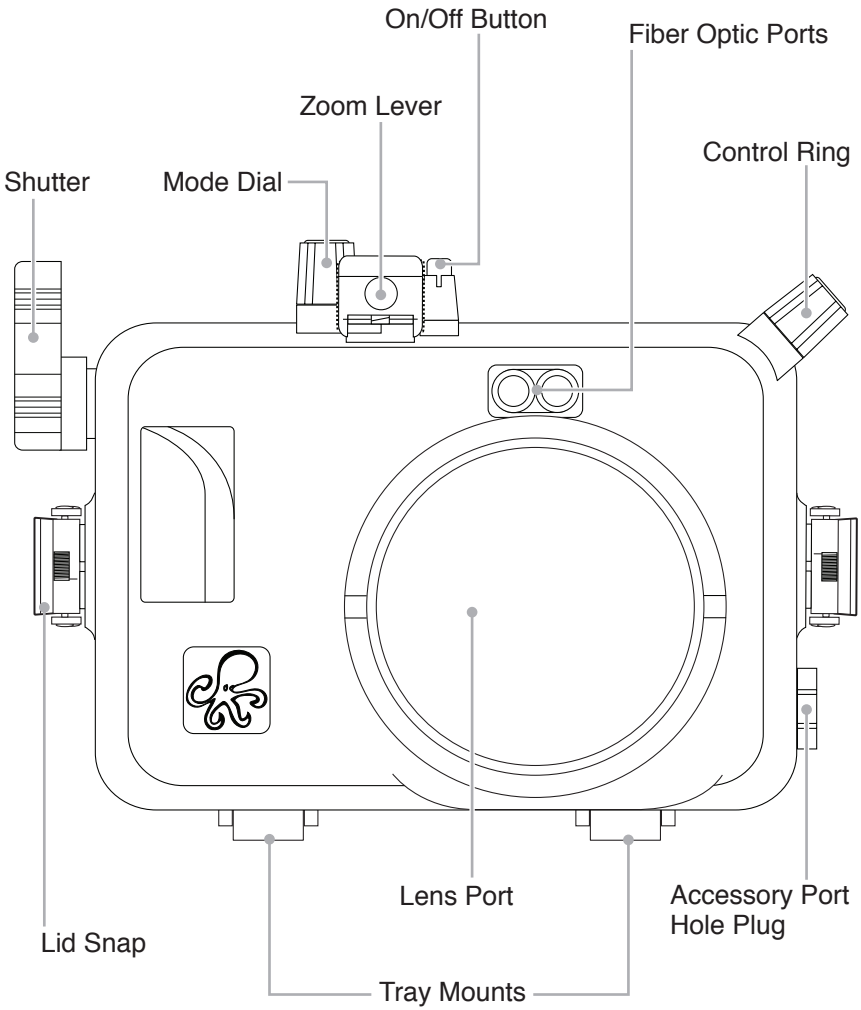
- » **To prevent salt build-up and sticking controls, submerge the empty housing in clean, freshwater. Operate the controls several times each while underwater to flush out any residue.**

- » **Do not use alcohol, cleaning agents, spray lubricants, Rain-X, or other solvents on the housing or lens port. Use of an incompatible chemical compound can damage the plastic and o-rings, and may result in leaking.**

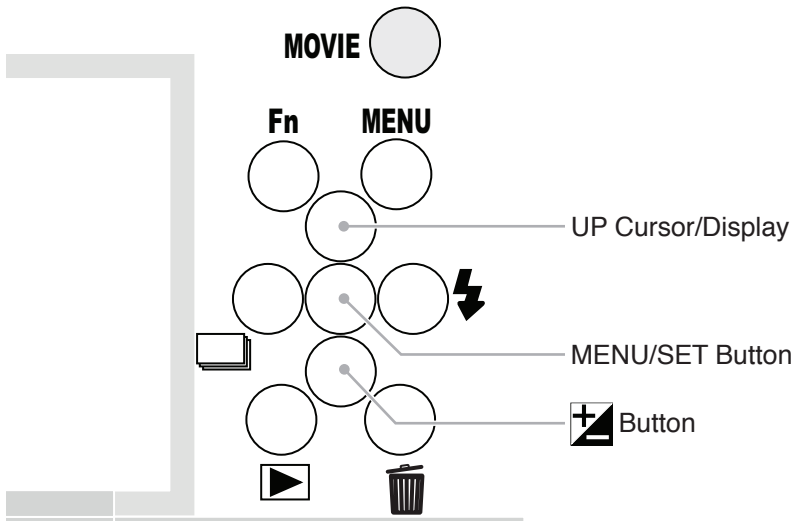
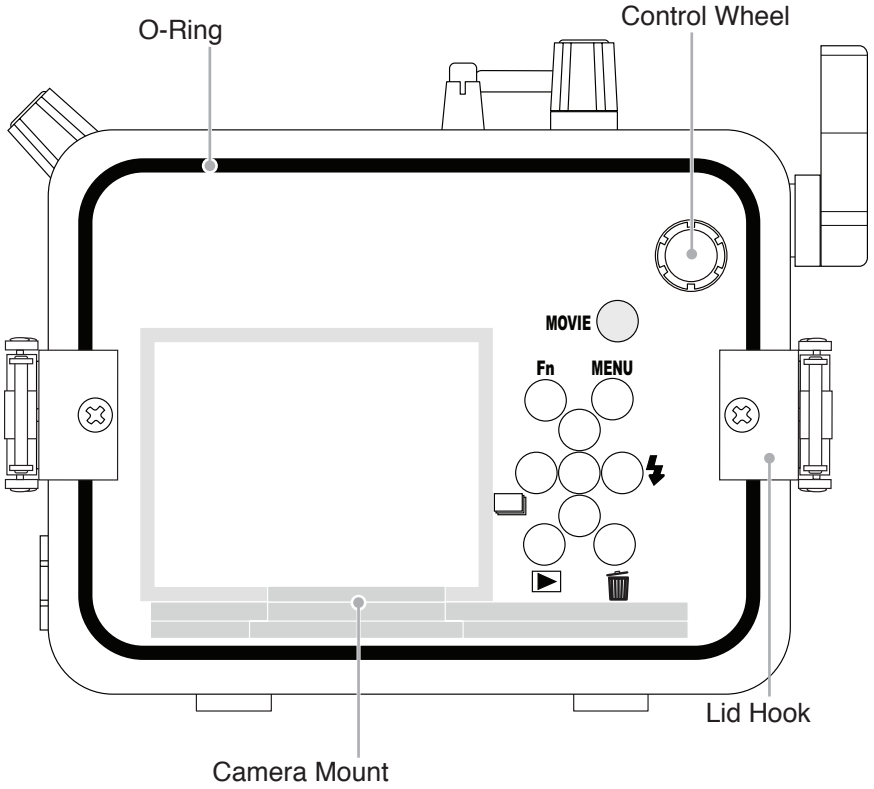
Contents

About this Product	2
Included in the Box	2
Specifications	2
Important Notices	3
Getting to Know Your Housing	5
Getting to Know Your Housing - cont.....	6
Accessory Port.....	7
Setting Up Your Camera	7
Pre-Installation Checklist & Initial Camera Settings.....	7
Setting Up Your Housing	7
Opening the Housing.....	7
Inserting the Camera.....	8
Closing the Housing.....	9
Final Check.....	10
Entering the Water.....	10
Built-in Flash and External Strobe Use	11
About the Built-In Flash.....	11
Attaching a Fiber Optic Cord.....	11
Spare Parts	12
Maintenance	12
Post-Dive.....	12
Travel and Storage.....	13
Troubleshooting	13
Limited Warranty	15
Service and Repairs	16
Contact Us	16

Getting to Know Your Housing



Getting to Know Your Housing - cont.



Accessory Port

Your housing features one 1/2-20 threaded Accessory Port which may be used for attachment of factory optional or aftermarket housing accessories. Visit ikelite.com for an updated list of factory optional accessories.

Setting Up Your Camera

Pre-Installation Checklist & Initial Camera Settings

1. Insert a fully charged camera battery.
2. Insert a properly formatted memory card.
3. Set Flash Mode to “Fill Flash.”
4. Set Red Eye Reduction to “Off.”
5. Set AF Illuminator to “Off” and ND Filter to “Off.”
6. Set Function for VF Close to “Not Power Off.”

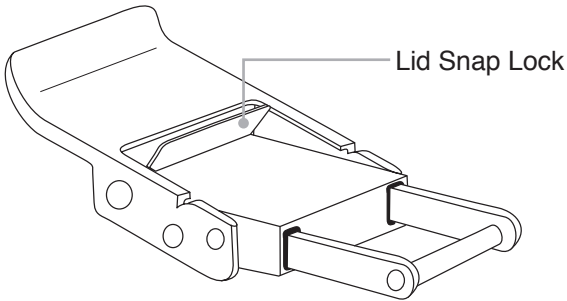
Setting Up Your Housing

⚠ RX100 III IMPORTANT NOTE: If using the Sony RX100 III model camera, add the small 1/16” thick rubber washer (included in box) to the rear housing dial. Remove the adhesive backing on the washer before application.

Opening the Housing

1. Push the lid snap lock forward and start to lift the curved end away from the housing.

2. Lid snaps are designed to provide enough force to compress the o-ring for a proper seal. Keep firm pressure against the lid snap while lifting it away.

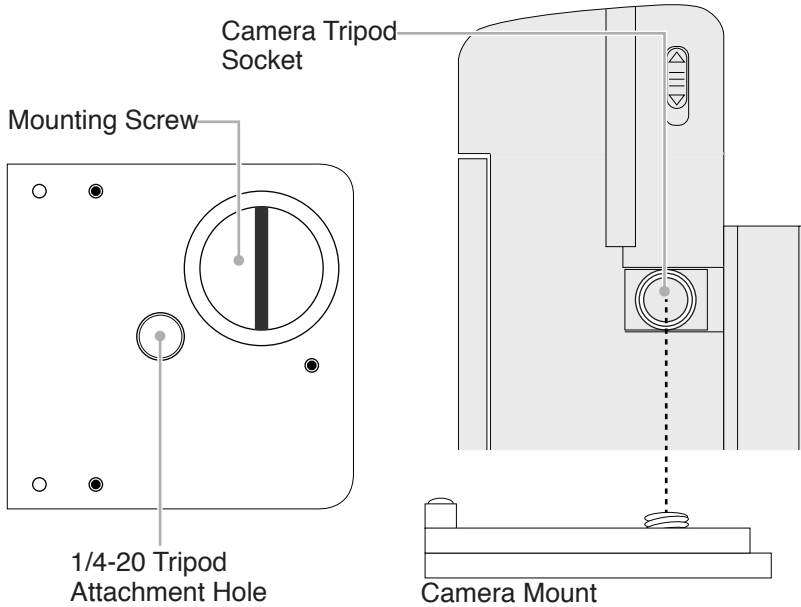


3. Repeat with remaining lid snaps.
4. Remove the housing back.

Inserting the Camera

1. Remove any lanyard or neck strap which may be attached to the camera.
2. Remove the camera mount from the housing.

3. Line the mounting screw up with the camera's tripod socket. Use a coin or flat head screwdriver to tighten the mount to the camera.



4. Pull out on the housing control knobs to move them out of the way.
5. Insert the camera mount into the slot on the inside bottom of the housing. Push the camera all of the way forward until the back of the mounting plate is flush with the back of the housing mount.
6. **RAISE** the flash, if using. ⚠ Once the camera is closed in the housing, the flash **CANNOT** be raised. **DO NOT** raise the flash **BEFORE** placing the camera in the housing.

Closing the Housing

1. Make sure the o-ring is clean and in its proper location on the back of the housing. The main o-ring does not require lubricant to make a seal.
2. Place the back onto the housing front.
3. Make sure no controls or wires are interfering with the o-ring or the back of the housing.

4. Place each lid snap into the corresponding hook on the housing back.
5. Push the lid snaps towards the housing until they are flat against the housing and the lock has engaged. Close opposing lid snaps at the same time.
6. Check the o-ring seal. The o-ring should form a uniform, solid line around the back of the housing.

Final Check

1. Re-check the o-ring seal. The seal should form an even, solid line around the back of the housing.
2. Turn on the camera and check all control functions.
3. Make sure that the camera can obtain focus and take a photo.
4. Check battery life and open storage space on your memory card.
5. Check the flash, if using.
6. Submerge the housing in a fresh water tank dedicated to underwater photography equipment. Visually confirm that there are no signs of water intrusion or a steady stream of bubbles coming from one of the housing seals.

Entering the Water

1. If possible, we recommend entering the water without your housing to ensure that you are comfortable and your life-saving equipment is in working order. Once you are stable, have someone pass your camera housing to you.

2. Submerge the housing at the surface of the water and visually confirm that there are no signs of water intrusion or a steady stream of bubbles coming from one of the housing's seals. If water does appear to be entering the housing, point the lens port downward and return the housing to the surface as quickly as possible. Please observe all necessary safety precautions. NEVER ascend faster than accepted safety limits.
3. Use your hand to gently flush away any small bubbles that may be on the face of the lens port. Bubbles will produce soft focus spots in your photo or video.

Built-in Flash and External Strobe Use

About the Built-In Flash

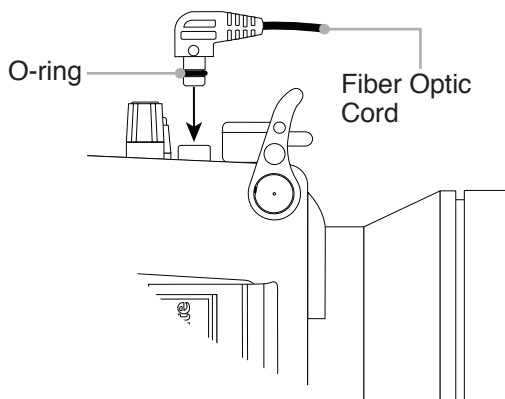
For the best color and clarity, we recommend adding a filter, strobe, or constant-on light. Due to the position of the camera's flash in relation to its lens, the built-in flash is not suitable to illuminate photos underwater. The built-in flash may be used to trigger external strobe(s) via fiber optic cord. Two ports are provided for the connection of up to two fiber optic cords.

We recommend attaching an external strobe for the optimal color and clarity in a wide variety of shooting situations, including daylight photography.

Attaching a Fiber Optic Cord

1. Check the end of the fiber optic cord to ensure that it is clean and smooth.
2. Ensure that the fiber optic cord o-ring is in place. This o-ring does not provide waterproofing, however it does keep the fiber optic cord in place.

3. Attach one end of the fiber optic cord into one of the fiber optic ports on the front of the housing. The connector is a press-fit into the fiber optic port.



4. Attach the other end of the fiber optic cord to a compatible strobe.
5. Set the strobe to the appropriate setting based on manufacturer recommendations.
6. Turn the camera on and then the strobe(s).
7. Take a test photo to ensure proper functioning properly.

Spare Parts

- 0109 Main o-ring
- 0119.2 Port o-ring
- 0200 Port cover

Maintenance

Post-Dive

1. Rinse the housing in fresh water. Rotate the housing's controls and press each button while submerged in fresh water to flush out any salt or debris to ensure smooth operation on future dives.

2. NEVER leave your housing in the fresh water rinse tank. Collisions with other peoples' gear can cause scratches or damage to your equipment.
3. Stow the housing in a shaded place where it is protected from impact or overheating. If no shade is available, we recommend covering the housing with a towel or cloth.
4. Check the memory card capacity and battery life of your camera and strobe(s). Recharge as necessary.
5. Always re-check o-ring seal after opening the housing.

Travel and Storage

1. Remove the camera from the housing for travel or storage.
2. Check the main housing o-ring.
3. Close the empty housing and submerge in lukewarm fresh water. While submerged, rotate each control and depress each button to flush out any salt or debris.
4. Remove the housing from water and rinse with running water.
5. Do not rinse the inside of the housing or submerge the open housing in water. If the inside of the housing needs to be cleaned, wipe with a clean, slightly damp cloth.
6. Dry the housing with a clean, lint-free cloth.
7. Store in a cool, dry place.
8. Like regulators and other pressure-sensitive equipment, we recommend careful care and cleaning along with annual replacement of the factory seals.

Troubleshooting

Water enters the housing

- Re-clean and re-install the main o-ring.

- Take the housing underwater without a camera installed to ensure that the leaking has been corrected.

Photos are over-exposed (too light)

- Adjust aperture (smaller), shutter speed (faster), or ISO (lower) setting.
- Move lights(s) farther away from your subject.
- Adjust exposure compensation in the camera.
- Adjust lighting power.

Photos are under-exposed (too dark)

- Adjust aperture (larger), shutter speed (slower), or ISO (higher) setting.
- Move light(s) farther away from your subject.
- Adjust exposure compensation in the camera.
- Adjust lighting power.

Strobe will not fire

- Turn on strobe.
- Make sure that the camera's flash is set to fire on every photo.
- Check that the fiber optic cord is attached.

Buttons are stuck

- Soak the housing in lukewarm fresh water. Depress each button several times while the housing is submerged.
- Apply lubricant to the button. Press the button several times to distribute the lubricant.

Button(s) or control(s) do not line up

- Ensure that nothing is preventing the camera from going into the housing.
- Push the camera mounting plate forward until it is flush with the housing base plate.

Camera is not functioning normally underwater

- Ensure that the camera mounting plate is pushed all of the way into the housing mounting plate.
- Check each housing control while underwater to ensure that they are disengaged. An inadvertently engaged control may limit functioning of the camera.
- Check that the zoom control is not engaged.

Backscatter or “snow” in images

- Position strobes or lights farther away from your lens and at a slight angle.
- Avoid using strobes in extremely low-visibility conditions.

Limited Warranty

This Ikelite product is warranted against any manufacturing defects for a period of two (2) years from the original date of purchase. Defective products should be returned to Ikelite postage paid. Ikelite will, at its sole discretion, repair or replace such products, and will return to customer postage paid. All other claims of any nature are not covered. Except as mentioned above, no other warranty expressed or implied applies to this Ikelite product.

Service and Repairs

Ikelite is most interested in performing any service to ensure that all products perform as intended. Evidence of purchase date must be provided to obtain warranty service.

No prior authorization is required. You may return directly to us or through your dealer. Please include a brief description of the problem, any relevant email correspondence, and/or description of the service request. Always include name, shipping address, email address, and phone number inside of the package.

Send postage paid to:

Ikelite Underwater Systems
Attn: Service Department
50 W 33rd St
Indianapolis, IN 46208 USA

Contact Us

If you have any questions about your product or need advice on getting the images you want, please get in touch with us and we'll do everything we can to help you capture your unique perspective.

Ikelite Underwater Systems
50 W 33rd St
Indianapolis, IN 46208 USA
(317) 923-4523