



DLM 6" Dome Port with Zoom

Product # 5516.15

Included in the Box

- Dome port
- Dome shade # 5516.05 (installed)
- Securing thumbscrews (set of 3) # 9249.6 (installed)
- Neoprene cover # 0200.1 (installed)
- Silicone lubricant 1cc tube

Important Notices

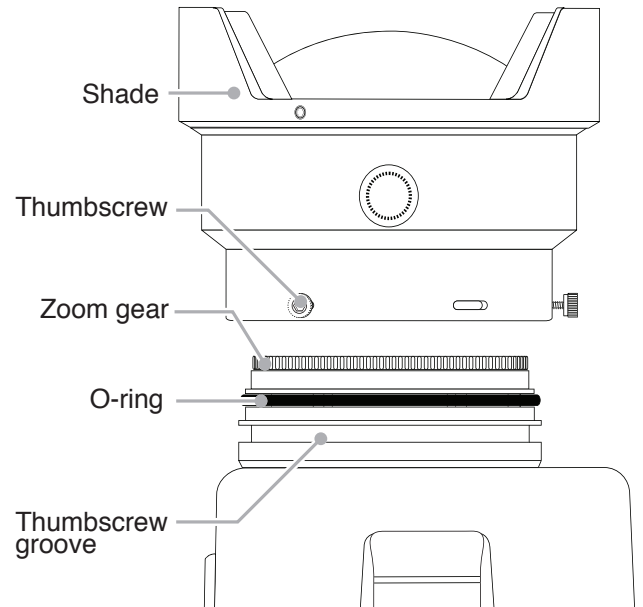
- » **Do not use alcohol, cleaning agents, spray lubricants, Rain-X, or other solvents on the housing or lens port. Use of an incompatible chemical compound can damage the plastic or component o-rings, which may result in leaking.**
- » **DO NOT over-tighten the Dome Shade Set Screws or you may damage the shade. Over-tightening is identified by bending of the shade base away from the port around each set screw. Slowly tighten the set screws so they just make contact in the recessed areas and are snug against the port.**

Installation and Use

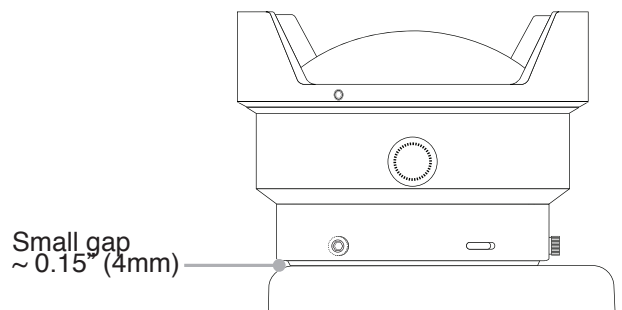
Installing the Dome Port

1. If the front of the lens is larger diameter than the inner diameter of the zoom gear, slide the zoom gear over the lens with the teeth of the gear towards the front of the lens. Attach the lens to the camera.
2. Slide the zoom gear over the lens if not already attached. Push the zoom gear down until it is flush with the front of the housing's port mount.
3. Remove the neoprene cover from the dome port.

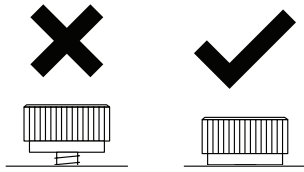
4. Check that the port sealing surface is clean and free of debris.
5. Apply a very thin, even layer of lubricant to the exposed portion of the housing's front o-ring and to the lens port sealing surface. Avoid dry spots or uneven build-up of lubricant.
6. Loosen the three securing thumbscrews on the port until they do not show on the inside of the lens port.
7. Align the port so that the taller projections on the dome shade are in the 12 and 6 o'clock positions.



8. Press the port firmly towards the housing until the base of the port is almost flush with the housing front. If there is resistance, remove the port and re-check that the thumbscrews are loosened and that the o-ring is properly lubricated.



9. Tighten all three thumbscrews while holding the port firmly towards the housing. The thumbscrews should thread in completely until the head touches the port. If the screws are difficult to turn and/or they bottom out before their heads are flush, it is an indication that the port is not pushed far enough down on the housing.



- » **The port must be fully seated onto the housing for waterproof operation. There should only be a very thin, even gap of approximately 0.15” (4mm) between the bottom of the port and the front of the housing.**

Testing the Housing

1. Assemble the housing without a camera installed.
2. Submerge the housing in fresh water for several minutes.
3. Remove the housing from water and dry the outside of the housing with a clean, lint-free cloth.
4. Look through the back of the housing for signs that water has entered the housing. Signs include fogging or water droplets.
5. We recommend making at least one dive without a camera installed to ensure waterproof operation.

Maintenance and Storage

Post-Dive

1. Rinse the housing with dome port installed in clean, fresh water.
2. Never leave your housing in the fresh water rinse tank. Collisions with other gear can cause scratches or damage to your equipment.
3. Dry the dome with a clean micro fiber lens cleaning cloth.
4. Attach the protective neoprene cover.
5. Stow the housing in a shaded place where it is protected from impact or overheating. If no shade is available, we recommend covering the housing with a towel or cloth.

Travel and Storage

1. Clean and dry the exterior of the dome port. Do not use any type of alcohol or glass or surface cleaner on the dome port.
2. Attach the protective neoprene cover.
3. Store in a cool, dry place.

Scratches

Often scratches will fill in with water and become invisible in the resulting image. Scratches are most likely to show up in your image when shooting towards the sun or a light source.

Light scratches may be buffed out using NOVUS plastic polish, available in single-use packets or bottles.

If the scratches are too deep to polish out, the dome port will need to be returned to Ikelite for replacement of the acrylic front.

Limited Warranty

This Ikelite product is warranted against any manufacturing defects for a period of one (1) year from the original date of purchase. To obtain warranty service, the product must be returned to Ikelite postage paid. Ikelite will, at its sole discretion, repair or replace such products, and will return to customer postage paid. All other claims of any nature are not covered. Except as mentioned above, no other warranty expressed or implied applies to this Ikelite product.

Contact Us

Ikelite Underwater Systems
50 W 33rd St
Indianapolis, IN 46208 USA
(317) 923-4523
ikelite@ikelite.com