



## **Modular 8-inch Dome**

Product Number 5510.45

### **Product Registration**

Please register your product at [ikelite.com](http://ikelite.com) within 15 days of purchase. Our product registration database is the best way for us to get a hold of you in the event of a product update or recall.

## **About this Product**

Thank you for your purchase of Ikelite equipment. Please read this instruction manual completely before attempting to operate or dive with this product. Please visit [ikelite.com](http://ikelite.com) to register your product to receive information on any updates, notices, or recalls pertaining to your equipment.

## **Included in the Box**

- Dome with shade
- Neoprene cover
- Silicone lubricant

## **Important Notices**

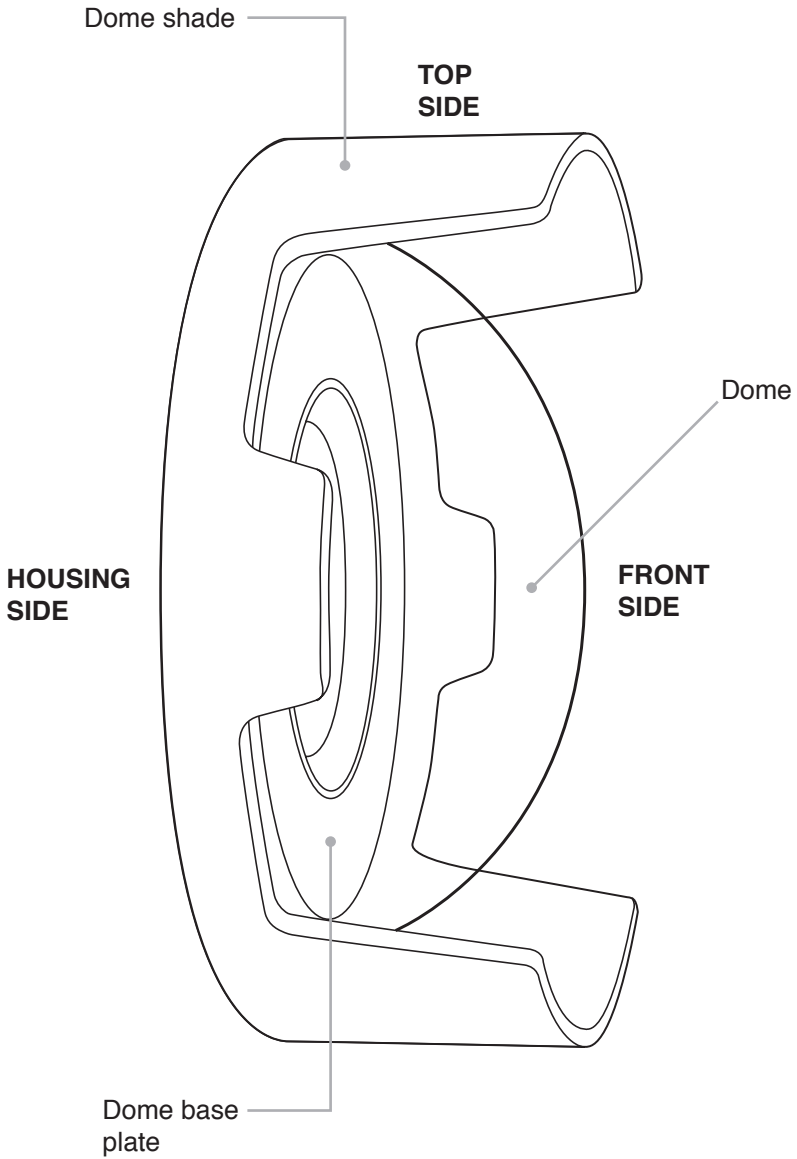
- » **The Port Locks are intended to be loose enough to slide open and closed easily when unlocked. Each port lock is adjusted to the proper tightness at the factory prior to water pressure testing. Tightening the port locks may cause leaks and/or permanent damage to the housing.**
- » **Use only enough lubricant to make the o-rings uniformly shiny. Lubricant is not a sealant; excessive use of lubricant can actually attract debris and cause leaks. Use only Ikelite silicone lubricant.**
- » **Do not use alcohol, cleaning agents, spray lubricants, Rain-X, or other solvents on the housing or lens port. Use of an incompatible chemical compound can damage the plastic and o-rings, and may result in leaking.**
- » **We recommend detaching the Lens Extension from the Modular 8-inch Dome during long periods of storage.**
- » **The 2.75-inch Lens Extension features a unique, bayonet-style mount attachment. Refer to this product's instruction manual for detailed set up and installation instructions.**

# Contents

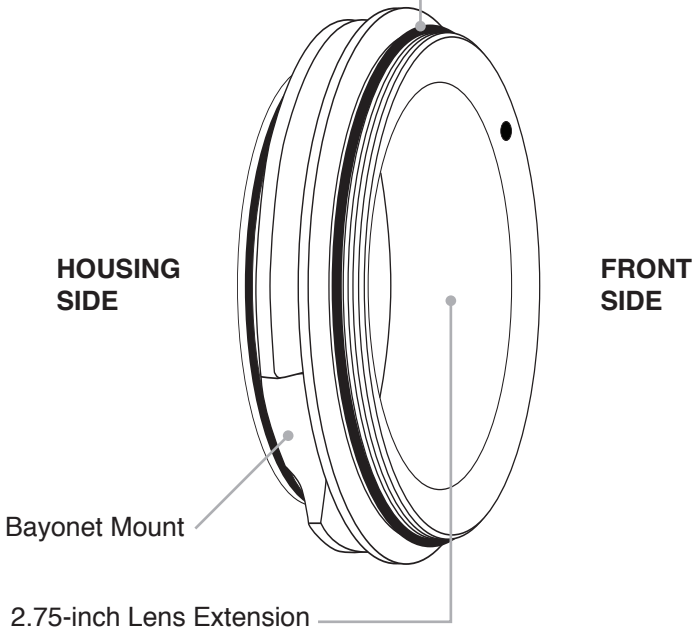
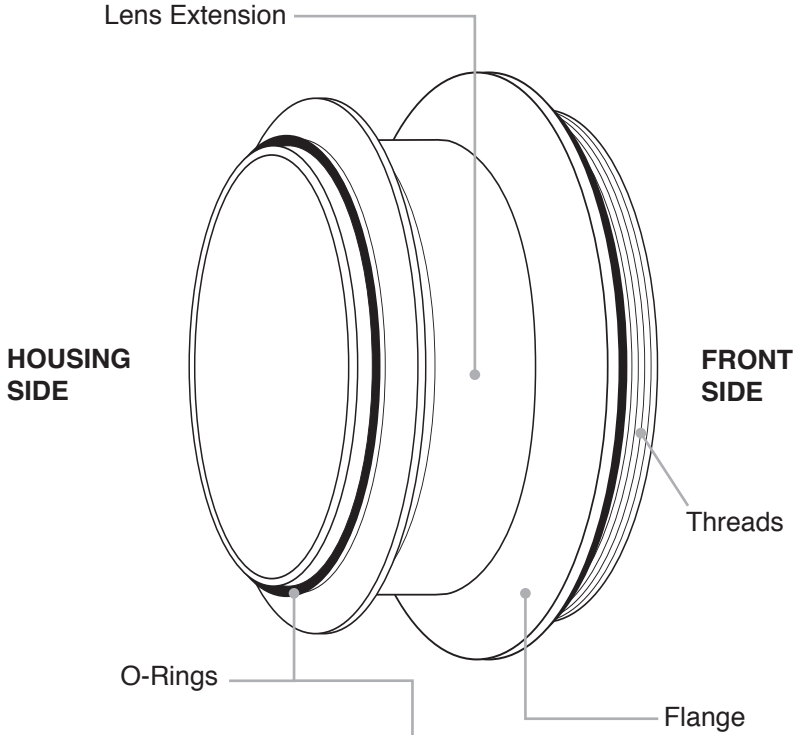
<b>Product Registration</b> .....	<b>1</b>
<b>About this Product</b> .....	<b>2</b>
<b>Included in the Box</b> .....	<b>2</b>
<b>Important Notices</b> .....	<b>3</b>
<b>Getting to Know Your Dome Port</b> .....	<b>6</b>
Getting to Know Your Dome Port - continued.....	7
<b>Setting Up Your Dome Port</b> .....	<b>8</b>
Installing the Lens Extension .....	8
<b>Setting Up Your Housing</b> .....	<b>8</b>
Opening the Port Locks.....	9
Installing the Port.....	9
<b>Maintenance</b> .....	<b>10</b>
Post-Dive.....	10
Travel and Storage.....	10
<b>Limited Warranty</b> .....	<b>11</b>
<b>Service and Repairs</b> .....	<b>11</b>
<b>Contact Us</b> .....	<b>12</b>



# Getting to Know Your Dome Port



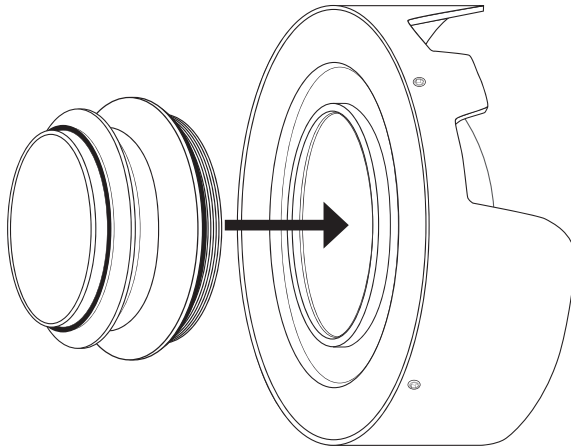
# Getting to Know Your Dome Port - continued



# Setting Up Your Dome Port

## Installing the Lens Extension

1. Clean and lightly lubricate the o-ring closest to the threaded end of the Lens Extension.
2. Lightly lubricate the threads of the Lens Extension and Modular Port Body.
3. Carefully thread the Lens Extension into the Dome and tighten until the flat surface below the Lens Extension threads meets the Dome base plate.
4. If the Lens Extension is difficult to thread on, do not force it. Cross-threading will cause permanent damage to the Lens Extension. Remove the Lens Extension, place it squarely on the Dome plate, and try again.



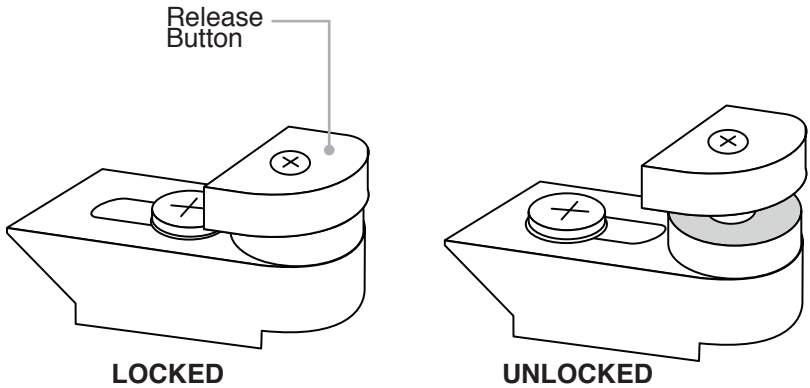
## Setting Up Your Housing

These instructions apply to Lens Extensions 3.5-inch and longer. The 2.75-inch Lens Extension features a unique, bayonet-style mount attachment. Refer to this product's instruction manual for detailed installation instructions.



## Opening the Port Locks

1. Lift the port lock release button.
2. Slide the port lock away from the port hole opening of the housing.



3. The release button will stay up while the port lock is in the open and unlocked position.
4. Repeat with all four port locks.

## Installing the Port

1. If any portion of the lens is larger than the opening on the front of the housing, install your camera body in the housing and then install the lens and zoom sleeve prior to installing the port.
2. Clean and lightly lubricate the rear port o-ring.
3. Install the rear port o-ring onto the back of the Lens Extension. Do not install the o-ring into the opening of the housing.
4. Carefully place the port with o-ring into the housing port opening.
5. Press down firmly on the center of the dome and continue to hold in place.

6. Push one of the four port locks towards the center of the port opening until it returns to the locked position.
7. Repeat with all four port locks.
8. Release pressure on the dome.
9. Check each port lock to ensure that the release button is flush with the lock body and the indicator paint is no longer visible.
10. Check that the wider projections of the dome shade are aligned with the top and bottom of the housing.

## Maintenance

### Post-Dive

1. Rinse the housing in fresh water with the dome port installed.
2. NEVER leave your housing in the fresh water rinse tank. Collisions with other peoples' gear can cause scratches or damage to your equipment.
3. Dry the dome with a clean micro fiber lens cleaning cloth.
4. Attach the protective neoprene cover.
5. Stow the housing in a shaded place where it is protected from impact or overheating. If no shade is available, we recommend covering the housing with a towel or cloth.

### Travel and Storage

1. Clean and dry the dome port. DO NOT use any type of glass or surface cleaner on the dome port.
2. Remove the Lens Extension from the dome port.
3. Attach the protective neoprene cover.
4. Store in a cool, dry place.

## **Limited Warranty**

This Ikelite product is warranted against any manufacturing defects for a period of one (1) year from the original date of purchase. Defective products should be returned to Ikelite postage paid. Ikelite will, at its sole discretion, repair or replace such products, and will return to customer postage paid. All other claims of any nature are not covered. Except as mentioned above, no other warranty expressed or implied applies to this Ikelite product.

## **Service and Repairs**

Ikelite is most interested in performing any service to ensure that all products perform as intended. Evidence of purchase date must be provided to obtain warranty service.

No prior authorization is required. You may return directly to us or through your dealer. Please include a brief description of the problem, any relevant email correspondence, and/or description of the service request. Always include name, shipping address, email address, and phone number inside of the package. Send postage paid to:

Ikelite Underwater Systems  
Attn: Service Department  
50 West 33rd Street  
Indianapolis, IN 46208 USA

For the separate international customs documentation form that you complete to accompany the shipment, please state or designate that the enclosed products were originally manufactured in the USA and are being returned to the manufacturer for repair service. Value of the equipment listed for customs purposes should be zero.

## Contact Us

If you have any questions about your product or need advice on getting the images you want, please get in touch with us and we'll do everything we can to help you capture your unique perspective.

Ikelite Underwater Systems  
50 W 33rd St  
Indianapolis, IN 46208 USA  
(317) 923-4523  
[ikelite@ikelite.com](mailto:ikelite@ikelite.com)