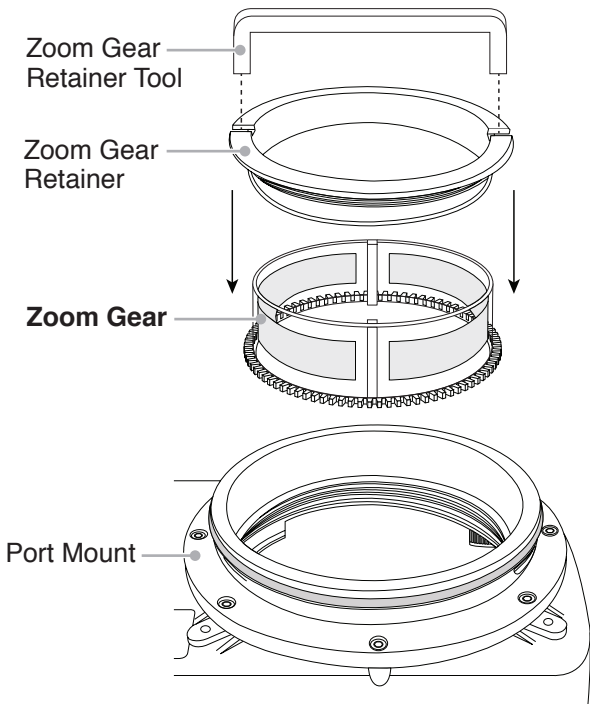




Zoom Gear for Sigma 10-20mm F4.5-5.6 EX DC HSM

Product Number 5509.33

Diagram A



Zoom Gear Installation

1. If necessary, remove black dust cap from housing port hole before installing Zoom Gear. Rotate the Zoom Gear Retainer Tool counterclockwise to remove Retainer.
2. Install components as shown, **Diagram A**.
3. Tighten Zoom Gear Retainer into Port Mount using Zoom Gear Retainer Tool - **Diagram B**. Tighten clockwise so Retainer is snug. DO NOT overtighten.
4. Install lens and test zoom function - **Diagram C**.

Diagram B

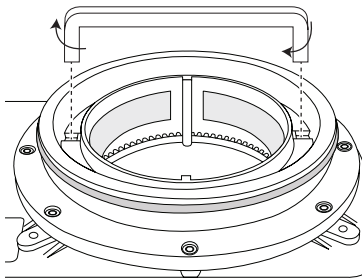


Diagram C

