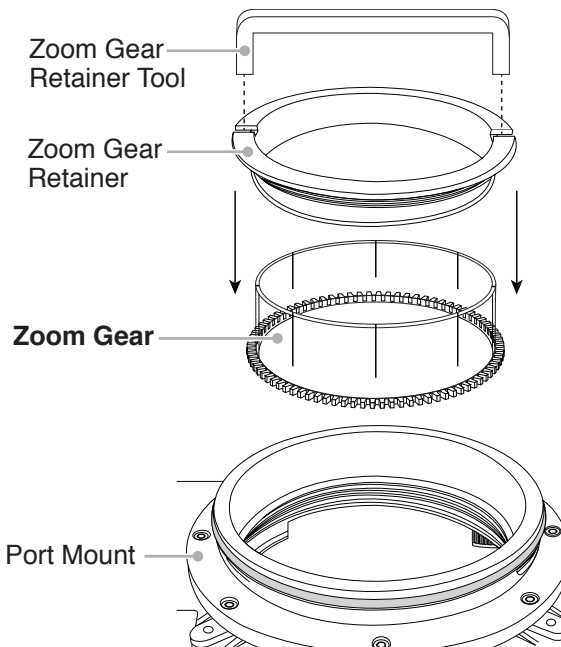




Zoom Gear & Clamp for Sony FE 12-24mm F4G

Product Number 5509.32

Diagram A



Zoom Gear Installation

1. Install camera body in housing (without lens).
2. If necessary, remove black dust cap from housing port hole before installing Zoom Gear. Rotate the Zoom Gear Retainer Tool counterclockwise to remove Retainer.
3. Install components as shown, **Diagrams A** and **B**. Tighten Zoom Gear Retainer clockwise so Retainer is snug. DO NOT overtighten.
4. Zoom Gear is a friction fit to the lens. Install lens and test zoom function - **Diagram C**.
5. Attach Port.

Diagram B

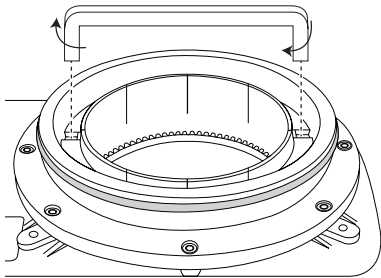


Diagram C

