



Zoom Gear for Sony 16-35mm F2.8 GM Lens

Product Number - 5509.25

Included in the Box

- Port Gear Sleeve # 0073.6
- Zoom Clamp # 9059.9

Installation and Use

Attaching the Sleeve and Clamp to a DL Housing

1. Place Zoom Gear into the housing Port Mount opening, with gear slots facing up.
2. Mesh Zoom Gear teeth with small black housing gear.
3. Tighten Zoom Gear Retainer into Port Mount using Zoom Gear Retainer Tool. Tighten clockwise so Retainer is snug - **Diagram A**. DO NOT overtighten.
4. Line up the two white dots on the camera face and lens, and bayonet the lens into the camera body by rotating the lens counterclockwise - **Diagram B**.
5. Gently expand and place the Clamp over the front of the lens.
6. Line up Zoom Clamp tabs with Zoom Gear slots.
7. Push clamp down on the lens until the tabs slide into the slots.
8. Check zoom function.
9. Install Lens Port.

Limited Warranty

This Ikelite product is warranted against any manufacturing defects for a period of one (1) year from the original date of purchase. To obtain warranty service, the product must be returned to Ikelite postage paid. Ikelite will, at its sole discretion, repair or replace such products, and will return to customer postage paid. All other claims of any nature are not covered. Except as mentioned above, no other warranty expressed or implied applies to this Ikelite product.

Diagram A

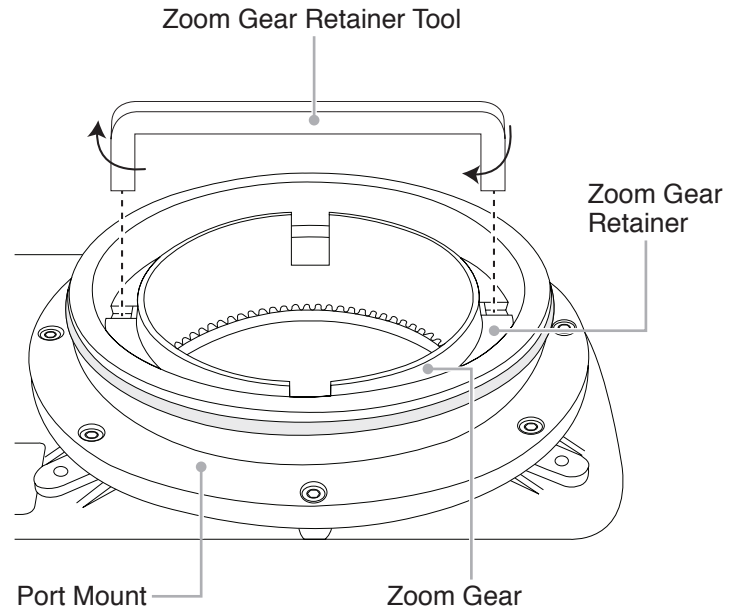


Diagram B

