



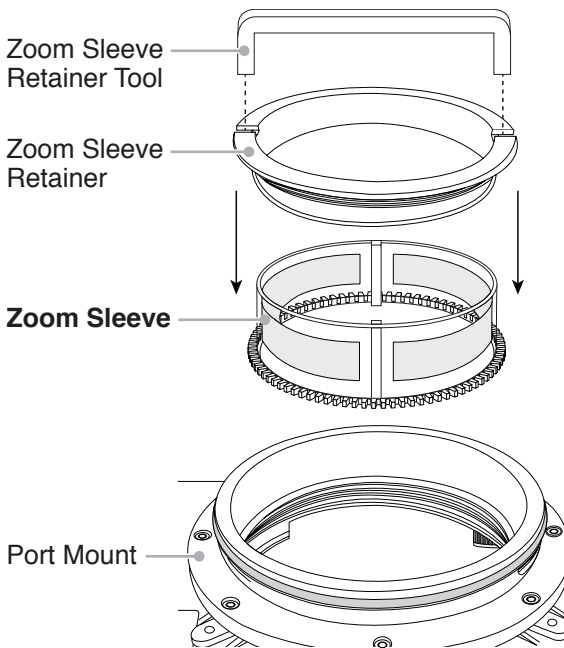
## Zoom Sleeve for Canon 24-70mm II Lens

Product Number 5509.12

## Zoom Sleeve for Canon 11-24mm Lens

Product Number 5509.14

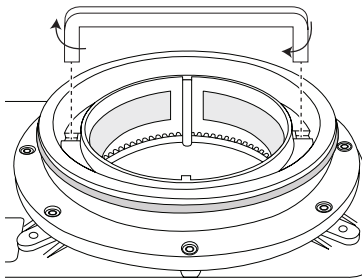
**Diagram A**



## Zoom Sleeve Installation

1. If necessary, remove black dust cap from housing port hole before installing Zoom Sleeve. Rotate the Zoom Sleeve Retainer Tool counterclockwise to remove Retainer.
2. Install components as shown, **Diagram A**.
3. Tighten Zoom Sleeve Retainer into Port Mount using Zoom Gear Retainer Tool - **Diagram B**. Tighten clockwise so Retainer is snug. DO NOT overtighten.
4. Install lens and test zoom function - **Diagram C**.

**Diagram B**



**Diagram C**

