



Trim Weight System for DL Housings

Product # 47140

Trim Weight System for DLM Housings

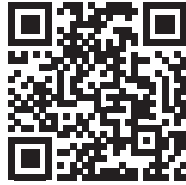
Product # 47141

Video Tutorial

<https://www.ikelite.com/watch-47140>

Included in the Box

- Trim rail
- Elastic strap
- Vertical spacer
- Attachment knob



SCAN FOR
VIDEOS

Important Notices

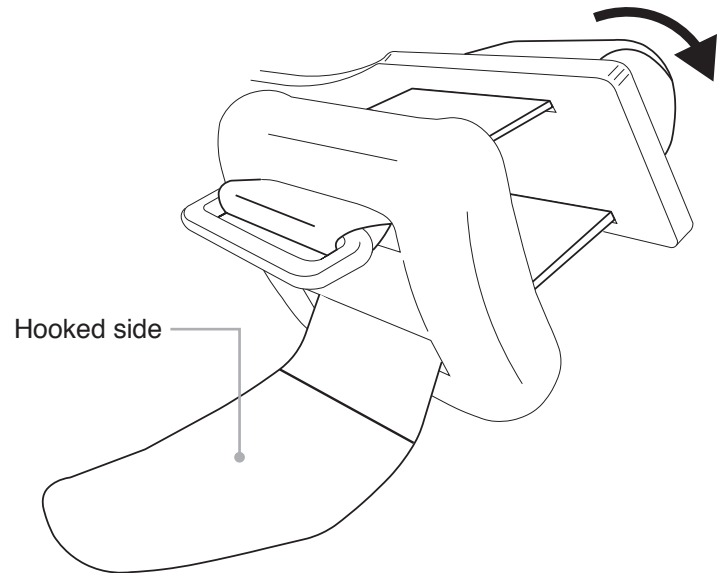
- » The trim weight system should be detached from the housing for shipment or travel.

Installation and Use

Attaching the Weight

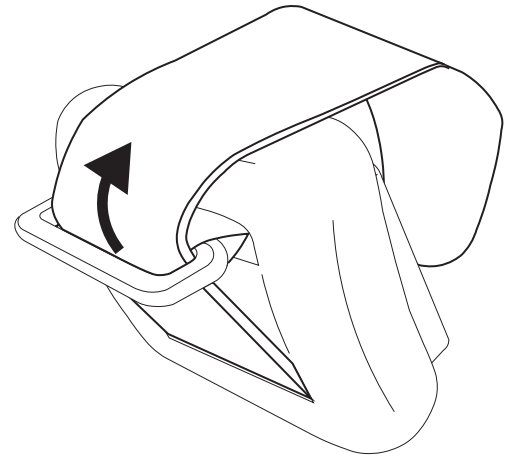
1. Insert the elastic strap through one slot on the weight with the rough hooked side of the strap towards the center of the weight.

2. Loop the elastic strap through the slots on the trim rail.

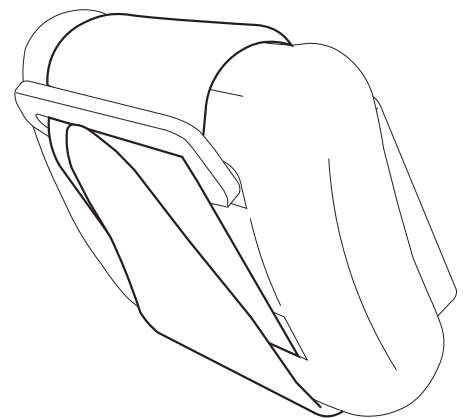


3. Insert the end of the elastic strap through the open slot on the weight and pull tight.

4. Thread the end of the elastic strap through the plastic loop.

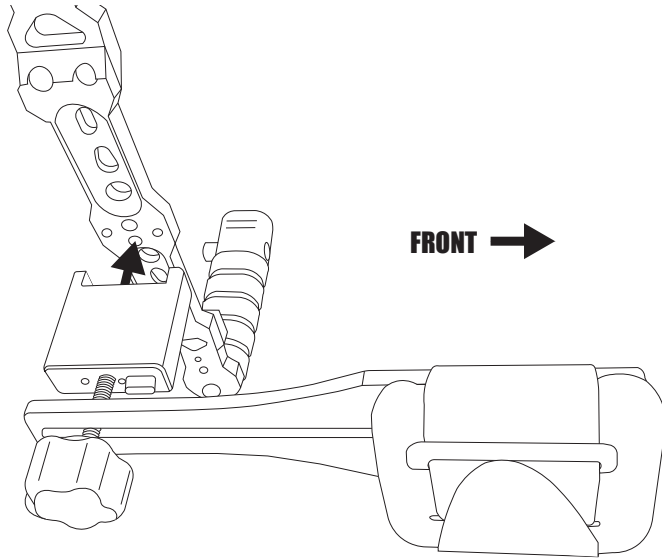


5. Wrap the strap tightly around the weight and attach to itself.



Attaching the Trim Rail

1. Assemble the vertical spacer and knob onto the trim rail. The weight and knob should be on the same side of the rail.



2. Thread the attachment knob into the central tripod mount on the bottom of the aluminum tray.
3. Tighten snugly.

Adjusting the Balance

1. Slightly loosen the attachment knob.
2. Slide the trim rail forwards or backwards until the weight is in the desired location.
3. Re-tighten snugly.

Maintenance and Storage

Post-Dive

1. Rinse the system in clean, fresh water.
2. Dry thoroughly.
3. Stow the housing in a shaded place where it is protected from impact or overheating. If no shade is available, we recommend covering the housing with a towel or cloth.
4. Never leave your housing in the fresh water rinse tank. Collisions with other gear can cause scratches or damage to your equipment.

Travel and Storage

1. Separate and rinse all trim weight system components in clean, fresh water.
2. Dry thoroughly.
3. Store in a cool, dry place.

Limited Warranty

This Ikelite product is warranted against any manufacturing defects for a period of one (1) year from the original date of purchase. To obtain warranty service, the product must be returned to Ikelite postage paid. Ikelite will, at its sole discretion, repair or replace such products, and will return to customer postage paid. All other claims of any nature are not covered. Except as mentioned above, no other warranty expressed or implied applies to this Ikelite product.

Contact Us

Ikelite Underwater Systems
50 W 33rd St
Indianapolis, IN 46208 USA
(317) 923-4523
ikelite@ikelite.com