



Vacuum Valve for Accessory Port M14 Thread

Product number 47007

Vacuum Valve for Accessory Port M16 Thread

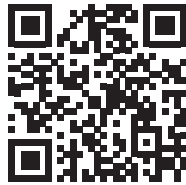
Product number 47008

Product Use & Video Tutorials

<http://ikelite.com/watch-47011>

Included in the Box

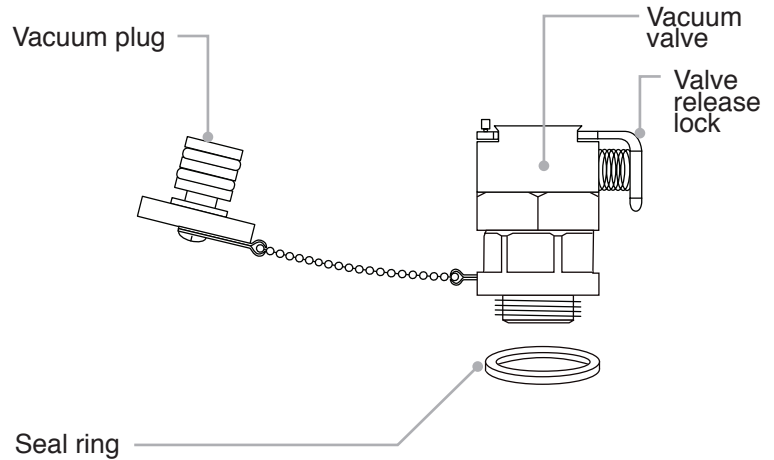
- Vacuum valve
- Vacuum valve plug (attached)
- Seal ring # 0139.02



SCAN FOR VIDEOS

Important Notices

- » Requires a compatible vacuum pump with 1/4" fitting (not included).
- » The vacuum pump is not airtight. Do not leave the vacuum pump attached to your system overnight.
- » The vacuum valve is only waterproof with the plug in place. Never submerge the housing in water without the plug properly installed in the valve.
- » Vacuum systems are only capable of simulating depths up to 33 feet (10 meters). Some very small leaks, like those caused by a fine hair across the o-ring, may only occur at deeper depths. In most cases, these leaks are not significant enough to cause damage to a camera.
- » A vacuum system cannot correct for improper assembly.



Installation

Installing the Valve

1. Remove the accessory port plug.
 2. Make sure that the seal ring is in place on the valve body. Do not lubricate the seal ring prior to installation.
 3. Check that the sealing surface and o-ring on the bulkhead are clean. No lubricant is necessary.
 4. Thread the valve into the housing's accessory port being careful not to cross-thread.
 5. Use an 11/16" wrench to carefully tighten down the valve just until it touches the case. Do not over-tighten.
- » It is recommended to run a vacuum test and take the housing to depth without a camera installed to test for leaks.

Overnight Check

You are more likely to find a small leak by checking the housing after it sits overnight.

Re-attach the vacuum pump and check that the gauge returns to the same position as when the system was assembled.

Very small leaks will become more evident on the gauge as more time passes.

- » Do not leave the vacuum pump attached overnight. The vacuum pump is not designed to hold a vacuum.

Opening the Housing

- » **The vacuum must be released prior to opening the housing. It is not possible to open a housing with a vacuum drawn.**
1. Rinse the housing with fresh water prior to opening.
 2. Press the vacuum valve lock release and remove the plug from the valve.
 3. Attach the pump to the valve and press the release button on the pump.
 4. If the pump is not available, insert a small blunt object into the center of the valve and gently press to allow air to enter the housing.

Limited Warranty

This Ikelite product is warranted against any manufacturing defects for a period of one (1) year from the original date of purchase. To obtain warranty service, the product must be returned to Ikelite postage paid. Ikelite will, at its sole discretion, repair or replace such products, and will return to customer postage paid. All other claims of any nature are not covered. Except as mentioned above, no other warranty expressed or implied applies to this Ikelite product.

Contact Us

Ikelite Underwater Systems
50 W 33rd St
Indianapolis, IN 46208 USA
(317) 923-4523
ikelite@ikelite.com