



ST1K Sony Alpha TTL Kit

Item number 46040

Included in the Box

- TTL Kit with Hotshoe
- 1/16" Hex Key

Compatible Strobes

- Ikelite DS160, DS161
 - Ikelite DS125 above serial number 5000
 - Ikelite DS51
 - Ikelite DS50 above serial number 70000
 - Ikelite DS200 above serial number 7163
- » **SEA&SEA, INON, Nikonos, and Ikelite non-DS strobes are not capable of powering the TTL Kit circuitry and thus will not provide TTL operation with this kit. These strobes may operate in manual power modes.**

Installation and Use

Setting the TTL Circuitry Program

A small slide switch on the front of the TTL kit circuitry box provides switching between manual or TTL operation.

Use **"TTL"** for **TTL** operation.

Use **"MAN"** for **Manual** operation with no preflash. Strobe power will need to be set manually.

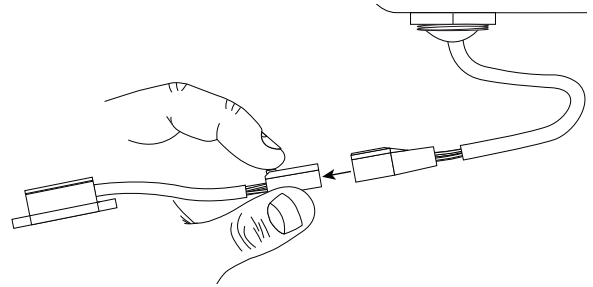
If the strobe switch is in TTL mode, but the circuitry switch is in the "MAN" Manual position, the strobe will fire at full power or at its selected power setting.

- » **The circuitry switch must be set prior to installation in the housing. This setting cannot be changed while the housing is underwater.**
- » **Failure to make the correct selection will result in over- or underexposure.**

Removing the Hotshoe

Your housing came with a manual hotshoe installed. This hotshoe must be removed prior to installing the TTL kit.

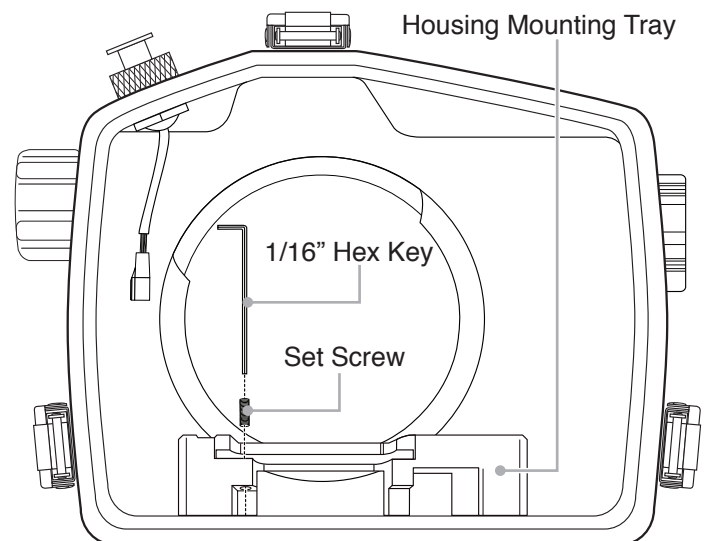
1. The hotshoe is attached by male connector to the female socket of the bulkhead. Depress the tab on the male connector.



2. Hold the female connector while gently pulling the male connector out of its socket.
3. Store the manual hotshoe in a small sealed plastic bag along with your spare parts.
4. The manual hotshoe may be reinstalled at a later time to bypass TTL operation.

Installing the TTL Kit

1. Remove the camera mounting tray from the housing.
2. Using the included 1/16" Hex Key, loosen the Set Screw on the left side of the Housing Mounting Tray.



3. Looking into the housing from the back, orient the TTL kit circuitry box with the hotshoe wire on your left and the Male Connector end towards the front of the housing.
4. Slide the circuitry box into the center bottom of the housing mounting tray. The male connector should come out the front of the housing mounting tray near the port opening.

5. Re-tighten the 1/16" set screw until it stops. ⚠ DO NOT over-tighten.
6. Line up the tab of the male connector with the female connector coming out of the housing bulkhead and push gently together. The tab will click into place when properly connected.
7. Move the Male Connector Wire to the left and out of the way of the Port Hole Opening.

Connecting Your Camera

1. Install your camera in the housing using the camera mounting tray.
2. Orient the hotshoe so the "LOCK" insignia is facing you and the wire is coming out of the back of the hotshoe.
3. Slide the hotshoe into the camera's hotshoe mount.
4. Push the back of the hotshoe forward firmly until it stops. This will ensure a good connection. ⚠ **Failure to push the hotshoe far enough forward may result in lack of TTL or failure to fire strobes.**
5. Rotate Hotshoe Locking Ring clockwise to tighten hotshoe. ⚠ DO NOT overtighten.

Setting your Strobes

Your Ikelite DS strobe must be set to TTL for TTL exposure with this kit. Any flash EV compensation set in the camera will be added to or subtracted from the flash exposure.

Use of manual power settings will provide manual flash exposure.

Limited Warranty

This Ikelite product is warranted against any manufacturing defects for a period of one (1) year from the original date of purchase. To obtain warranty service, the product must be returned to Ikelite postage paid. Ikelite will, at its sole discretion, repair or replace such products, and will return to customer postage paid. All other claims of any nature are not covered. Except as mentioned above, no other warranty expressed or implied applies to this Ikelite product.

