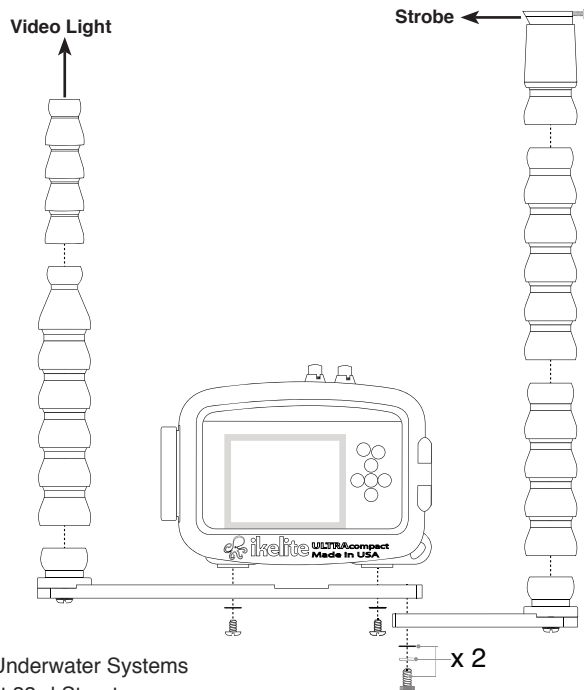


## Attachment for 2605.06, 2605.07, 2605.08 & 2605.09

1. Push Flex Light Arms together and attach to strobe or video light.
2. Tighten housing to tray with the "correct" mounting screws. Most older housings use 12-24 thread while newer housings use 1/4-20 thread. Slowly thread the screws into the camera mounts. If they stop or feel loose, they are likely the wrong thread type. DO NOT cross-thread or overtighten.



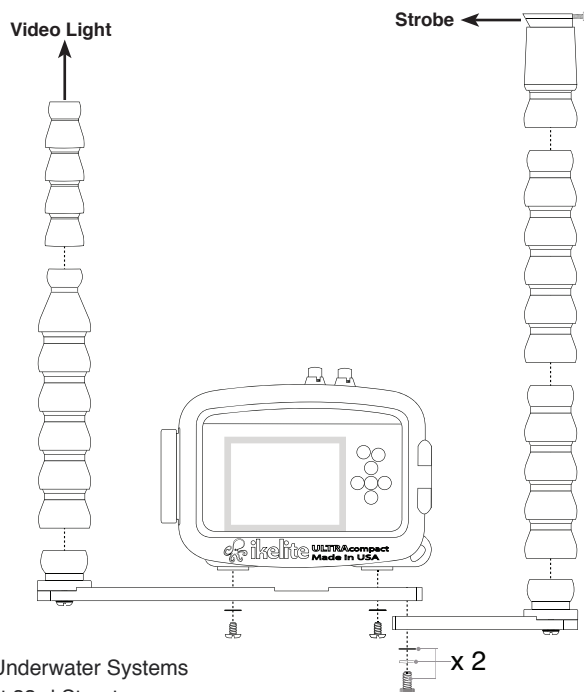
Ikelite Underwater Systems  
50 West 33rd Street  
Indianapolis, IN 46208 USA

[ikelite.com](http://ikelite.com)

2605\_series\_2-1117

## Attachment for 2605.06, 2605.07, 2605.08 & 2605.09

1. Push Flex Light Arms together and attach to strobe or video light.
2. Tighten housing to tray with the "correct" mounting screws. Most older housings use 12-24 thread while newer housings use 1/4-20 thread. Slowly thread the screws into the camera mounts. If they stop or feel loose, they are likely the wrong thread type. DO NOT cross-thread or overtighten.



Ikelite Underwater Systems  
50 West 33rd Street  
Indianapolis, IN 46208 USA

[ikelite.com](http://ikelite.com)

2605\_series\_2-1117



## 2605-series Action Tray II Components for Action and ULTRACompact Housings

### About this Product

Thank you for your purchase of Ikelite equipment. This product is compatible with Ikelite Action and ULTRACompact Housings or Non-Ikelite housings with a single 1/4-20 tripod mount. Reference your product number section for included components and pages 3 - 4 for proper attachment.

### Mounting Point Requirements

Use matching hardware in plastic sealed bags for your mount type. Flat head screwdriver or 1/8" Hex Key required for most installations.

### 2605.04 Action Tray II - Handle

- (1) 2605.11 Action Tray II
- (1) 9523.25 Hardware Set 12-24
- (1) 9523.24 Hardware Set 1/4-20
- (1) 9531.3 Quick Rel. Handle - Left

### 2605.05 Action Tray II - Extension

- (1) 2605.12 Action Tray II Extension
- (1) 9531.4 Quick Rel. Handle - Right



## 2605-series Action Tray II Components for Action and ULTRACompact Housings

### About this Product

Thank you for your purchase of Ikelite equipment. This product is compatible with Ikelite Action and ULTRACompact Housings or Non-Ikelite housings with a single 1/4-20 tripod mount. Reference your product number section for included components and pages 3 - 4 for proper attachment.

### Mounting Point Requirements

Use matching hardware in plastic sealed bags for your mount type. Flat head screwdriver or 1/8" Hex Key required for most installations.

### 2605.04 Action Tray II - Handle

- (1) 2605.11 Action Tray II
- (1) 9523.25 Hardware Set 12-24
- (1) 9523.24 Hardware Set 1/4-20
- (1) 9531.3 Quick Rel. Handle - Left

### 2605.05 Action Tray II - Extension

- (1) 2605.12 Action Tray II Extension
- (1) 9531.4 Quick Rel. Handle - Right

### 2605.06 Action Tray II • Light Arm

- (1) 2605.11 Action Tray II
- (1) 4087.26 Flex Light Arm
- (1) 9523.24 Hardware Set 1/4-20
- (1) 9523.25 Hardware Set 12-24

### 2605.07 Action Tray II Extension • Light Arm

- (1) 2605.12 Action Tray II Extension
- (1) 4087.26 Flex Light Arm

### 2605.08 Action Tray II • Strobe Arm

- (1) 4087.27 Flex Strobe Arm 3/4"
- (1) 2605.11 Action Tray II
- (1) 9523.24 Hardware Set 1/4-20
- (1) 9523.25 Hardware Set 12-24

### 2605.09 Action Tray II Extension • Strobe Arm

- (1) 2605.12 Action Tray II Extension
- (1) 4087.27 Flex Strobe Arm 3/4"

### 2605.11 Action Tray II

- (1) 0609.44 Action Tray II Aluminum Bar
- (1) 9523.24 Hardware Set 1/4-20
- (1) 9523.25 Hardware Set 12-24

### 2605.12 Action Tray II Extension

- (1) 0609.45 Action Tray II Aluminum Bar Extension
- (1) 0945.18 1/8" Hex Key
- (1) 9523.17 Hardware Set Tray Ext.

2

### 2605.06 Action Tray II • Light Arm

- (1) 2605.11 Action Tray II
- (1) 4087.26 Flex Light Arm
- (1) 9523.24 Hardware Set 1/4-20
- (1) 9523.25 Hardware Set 12-24

### 2605.07 Action Tray II Extension • Light Arm

- (1) 2605.12 Action Tray II Extension
- (1) 4087.26 Flex Light Arm

### 2605.08 Action Tray II • Strobe Arm

- (1) 4087.27 Flex Strobe Arm 3/4"
- (1) 2605.11 Action Tray II
- (1) 9523.24 Hardware Set 1/4-20
- (1) 9523.25 Hardware Set 12-24

### 2605.09 Action Tray II Extension • Strobe Arm

- (1) 2605.12 Action Tray II Extension
- (1) 4087.27 Flex Strobe Arm 3/4"

### 2605.11 Action Tray II

- (1) 0609.44 Action Tray II Aluminum Bar
- (1) 9523.24 Hardware Set 1/4-20
- (1) 9523.25 Hardware Set 12-24

### 2605.12 Action Tray II Extension

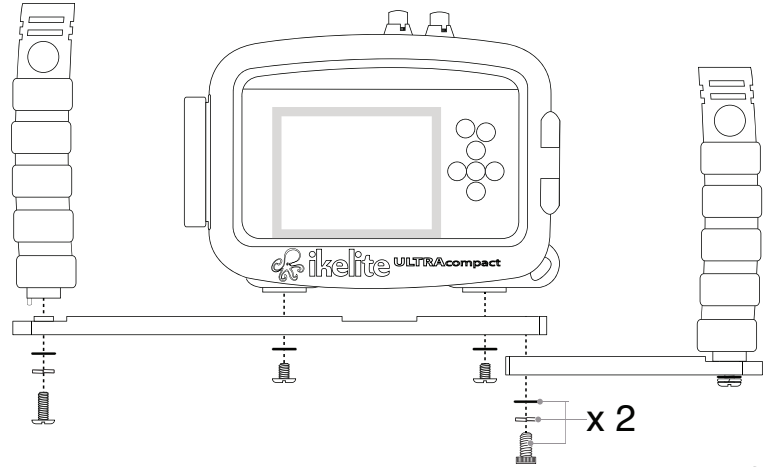
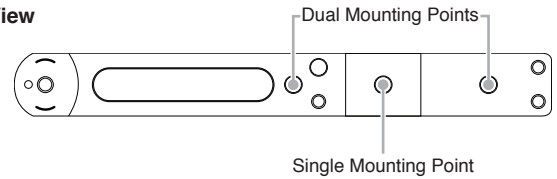
- (1) 0609.45 Action Tray II Aluminum Bar Extension
- (1) 0945.18 1/8" Hex Key
- (1) 9523.17 Hardware Set Tray Ext.

2

### Attachment for 2605.04, 2605.05, 2605.11 & 2605.12

1. Tighten handle and extension to tray using 1/8" Hex Key.
2. Tighten housing to tray with the "correct" mounting screws. Most older housings use 12-24 thread while newer housings use 1/4-20 thread. Slowly thread the screws into the camera mounts. If they stop or feel loose, they are likely the wrong thread type. DO NOT cross-thread or overtighten.  
NOTE: If the housing has a single mounting point, use the shorter single 1/4-20 screw without a washer.

Top View

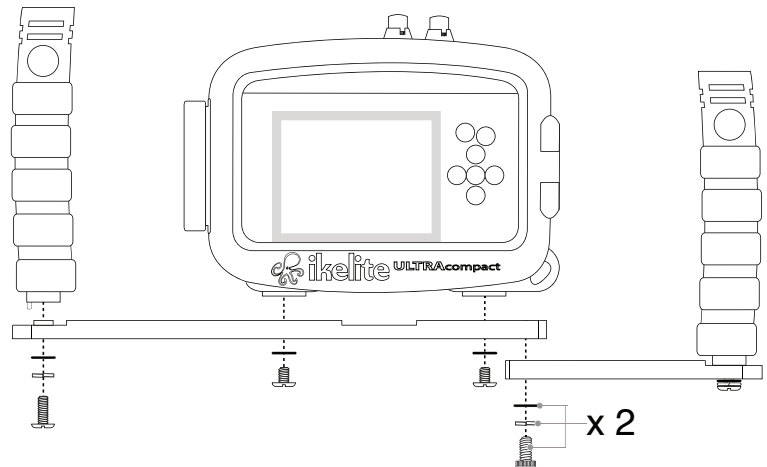
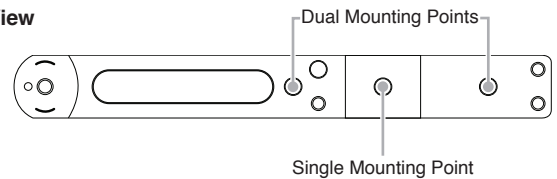


3

### Attachment for 2605.04, 2605.05, 2605.11 & 2605.12

1. Tighten handle and extension to tray using 1/8" Hex Key.
2. Tighten housing to tray with the "correct" mounting screws. Most older housings use 12-24 thread while newer housings use 1/4-20 thread. Slowly thread the screws into the camera mounts. If they stop or feel loose, they are likely the wrong thread type. DO NOT cross-thread or overtighten.  
NOTE: If the housing has a single mounting point, use the shorter single 1/4-20 screw without a washer.

Top View



3