



Instructions for

2601.03 Steady Tray for GoPro

2601.11 Pistol Grip Handle

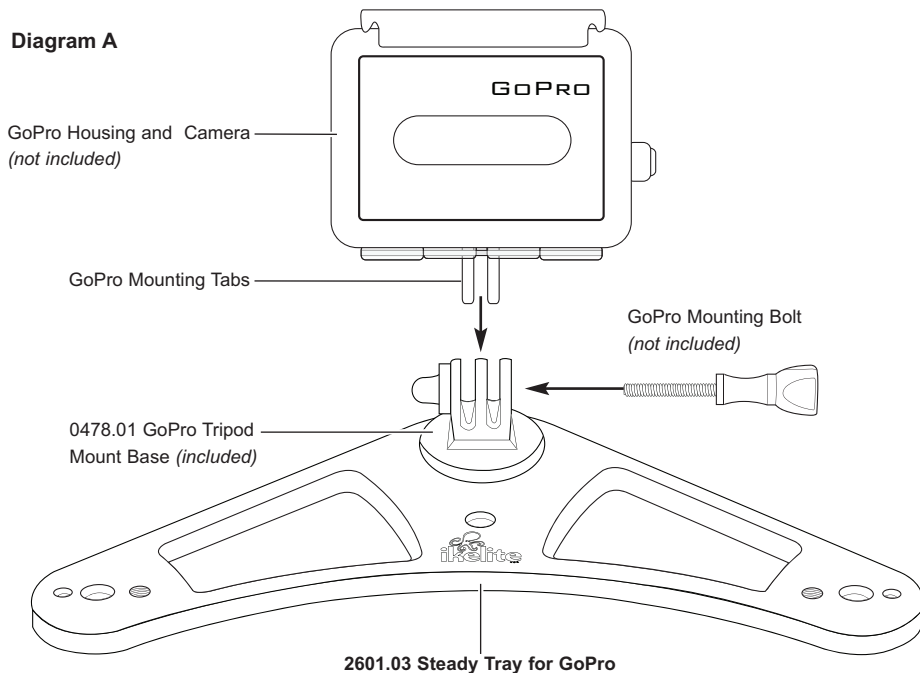
9531.3 (left) and 9531.4 (right) Release Handles

2601.03 Steady Tray for GoPro

The Steady Tray for GoPro is precision machined out of aircraft grade aluminum and features military-grade anodizing. Each Tray comes with a GoPro Tripod Mount Base attached. This allows easy attachment of your GoPro housing. A 1/4-20 threaded hole is provided on the bottom of the Tray to attach a standard Tripod.

Slide the GoPro Mounting Tabs into the GoPro Tripod Mount Base and tighten with your GoPro Mounting Bolt.

Diagram A



2601.11 Pistol Grip and 9531.3 (left) / 9531.4 (right) Release Handle(s) for Steady Tray

6201.11 Pistol Grip attachment: (see Diagram B, Page 2)

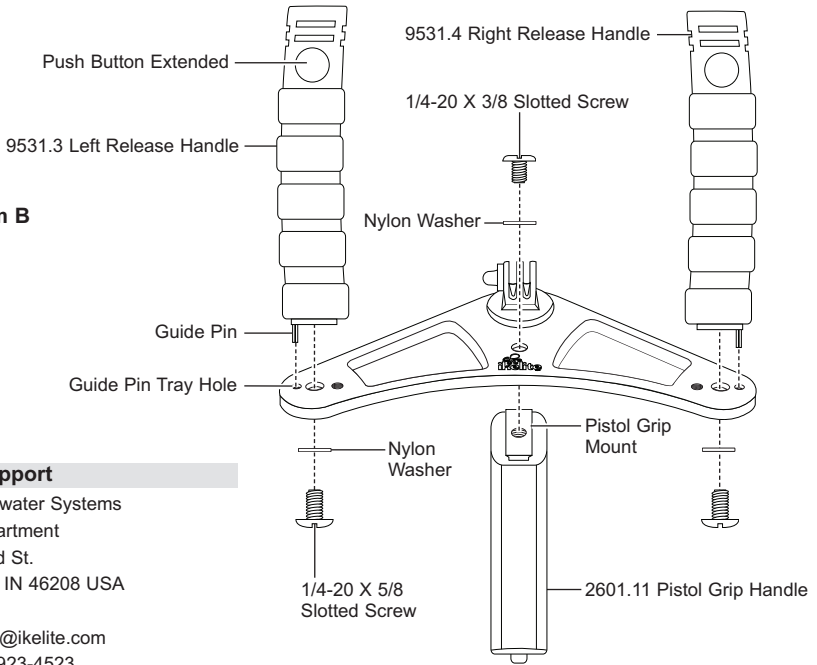
1. Push Pistol Grip Mount into tray recess on bottom side of Tray.
2. Slide Nylon Washer onto 1/4-20 X 3/8" Slotted Screw.
3. Tighten Slotted Screw firmly with a flat head screwdriver.

9531.3 (left) and 9531.4 (right) Release Handle(s) attachment: (see Diagram B, Page 2)

1. Line up Handle Guide Pin with Guide Pin Tray Hole and insert handle into Tray. **Note:** Push Button should extend toward the back of the Tray.
2. Slide Nylon Washer onto 1/4-20 X 5/8" Slotted Screw.
3. Tighten Slotted Screw firmly with a flat head screwdriver. Bottom of Handle should be flush against Tray.

2601.11 Pistol Grip and 9531.3 / 9531.4 Release Handle(s) for Steady Tray - illustration

Diagram B



Customer Support

Ikelite Underwater Systems
Service Department
50 West 33rd St.
Indianapolis, IN 46208 USA

Email: ikelite@ikelite.com
Phone: 317-923-4523

Limited Warranty

This Ikelite product is warranted against any manufacturing defects for a period of one (1) year from the original date of purchase. Defective products should be returned to Ikelite postage paid. Ikelite will, at its sole discretion, repair or replace such products, and will return to customer postage paid. All other claims of any nature are not covered. Except as mentioned above, no other warranty expressed or implied applies to this Ikelite product.

Returning Products for Service

Evidence of purchase date must be provided to obtain warranty service.

No prior authorization is required. You may return directly to us or through your dealer. Please include a brief description of the problem, any relevant email correspondence, and/or instructions. Always include name, shipping address, email address, and phone number inside of the package. Send postage paid to:

*Ikelite Underwater Systems
Attention: Service Department
50 West 33 Street
Indianapolis, IN 46208 USA*

No reimbursements for postage paid will be issued.



Ikelite Underwater Systems
50 West 33rd Street
Indianapolis, IN 46208 USA

ikelite.com

© 2014 Ikelite Underwater Systems