



1887.1 DSLR Top Mount Kit for Gamma

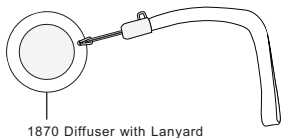
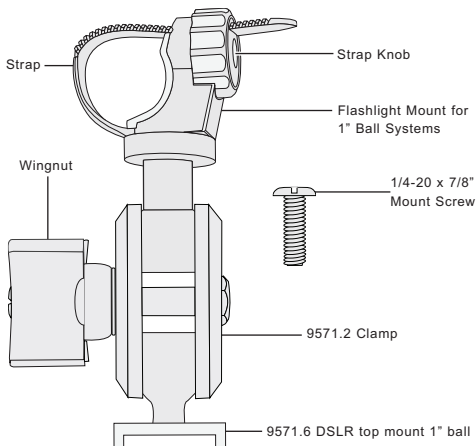
Based on our popular SA-100 1" (2.5cm) diameter ball socket arm system, this mount kit includes everything you need to use your Gamma as a focus assist or macro video light. Attach any Gamma flashlight to an Ikelite DSLR housing featuring a top mount. *Gamma flashlight not included.*

Assembly Instructions - see Diagram A

1. Loosen the Clamp Wingnut and rotate the Clamp 90° to allow access to the Mount Screw.
 2. Using a flathead screwdriver, tighten the Mount Screw firmly to the DSLR Top Mount. Do not overtighten.
 3. Rotate the Strap Knob counterclockwise until the small end of the Gamma can be slid into the Flashlight Mount.
 4. Rotate Strap Knob clockwise to tighten Strap around Gamma light. DO NOT overtighten! Overtightening may cause the strap threads to skip.
 5. Adjust Gamma to desired position.
- To attach the 1870 Diffuser to your Gamma Light, rotate the diffuser clockwise to thread into the front of the Gamma. DO NOT overtighten or cross-thread.

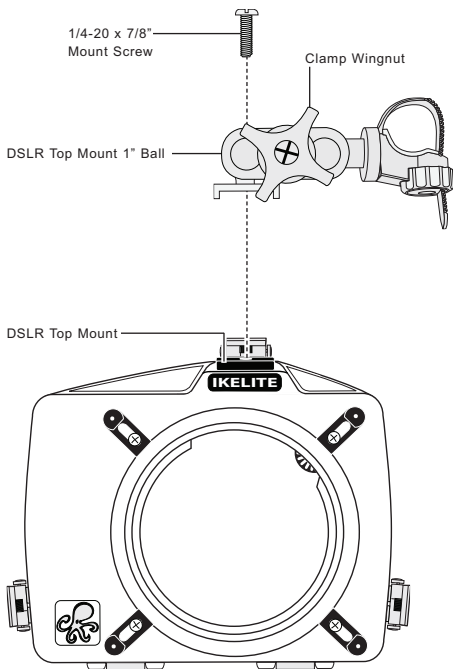
Included in Kit

- 1870 Diffuser with Lanyard
- 1881 Flashlight Mount for 1" Ball Systems
- 9571.2 Clamp
- 9571.6 DSLR Top Mount 1" Ball
- 1/4-20 x 7/8" Mount Screw



1870 Diffuser with Lanyard

Diagram A





Ikelite Underwater Systems
50 West 33rd Street
Indianapolis, IN 46208 USA

www.ikelite.com

© 2014 Ikelite Underwater Systems