



9523.64 Housing Tray and Dual Handles Instruction Manual

Included in Box

Dual Tray - Qty. 1

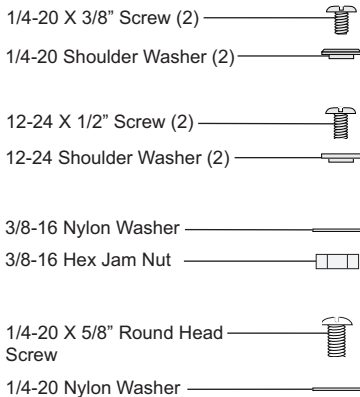
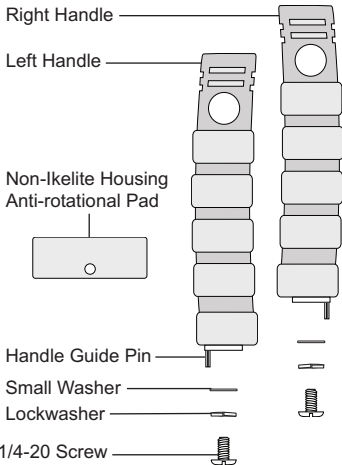
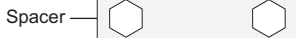
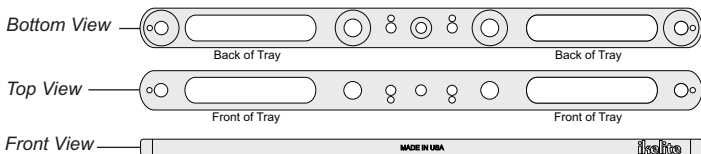


Table of Contents

Introduction	P. 2
Attach Quick Release Handles to Dual Tray.....	P. 3
Attach Dual Tray to Ikelite Compact Housing featuring 3/8-16 Mounting Bolts	P. 4
Attach Dual Tray to Ikelite Compact Housing featuring 12-24 or 3/8-16 Mounts	P. 5
Attach Dual Tray to Ikelite ULTRAccompact Housing featuring 12-24 Mounts	P. 6
Attach Dual Tray to Non-Ikelite Housing featuring a 1/4-20 Mount.....	P. 7

Introduction

Thank you for your purchase of Ikelite equipment. Please read this instruction manual completely before attempting to operate or dive with this product.

The 9523.64 Housing Tray and Dual Handle kit comes complete with hardware to connect both Ikelite and Non-Ikelite housings. The Tray is designed specifically for Ikelite Compact and ULTRAccompact housings. Non-Ikelite housings can be attached using the Anti-rotational Pad and 1/4-20 X 5/8" Screw.

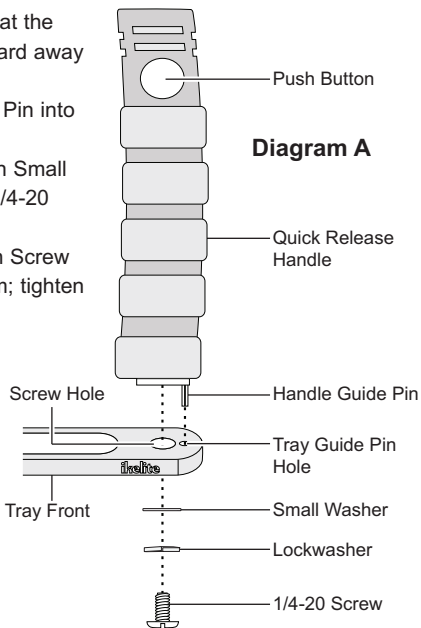
Remove and Re-attach Quick Release Handles to Tray

Each Handle is designed to be attached to the Tray one time and has been factory attached. A Handle can be removed for replacement or travel purposes, however constant removal and attachment can wear away the protective coating on the tray and handle, which can accelerate corrosion.

Remove the Handle by inserting a screwdriver into the 1/4-20 Screw at the base of the Handle. Rotate the 1/4-20 Screw counterclockwise to loosen and remove Handle. Store loose parts in a small plastic bag so they will not get lost.

Re-attach the Handle so that the Push Button extends rearward away from the Tray Front.

1. Gently insert Handle Guide Pin into Tray Guide Pin Hole.
2. Slide Lock Washer and then Small Washer over small end of 1/4-20 Screw.
3. Insert 1/4-20 Screw through Screw Hole and into handle bottom; tighten firmly with screwdriver.



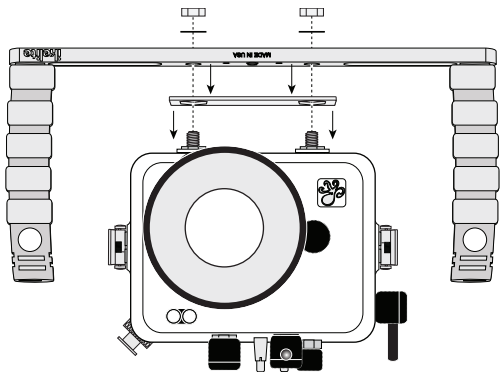
Attach Dual Tray to Ikelite Compact Housing featuring 3/8-16 Mounting Bolts-

1. Place your Ikelite Compact Housing upside down on a flat surface or on your lap.
2. Peel protective film off Spacer to expose adhesive, **Diagram B**. Place Spacer over Housing Mounting Bolts with adhesive side facing up.
3. Line up the 3/8" Dual Tray holes with the 3/8" Tray Mounting Bolts, **Diagram C**. If the tray is positioned properly, the "ikelite" logo will be facing forward toward the front of the camera housing.
4. Slide Tray into position over the Spacer and press firmly for a couple seconds. This will allow the Spacer to cling to the Tray.
5. With your free hand, slide the 3/8-16 washers over the Housing Mounting Bolts and tighten tray using the 2 3/8-16 Hex Jam Nuts. Finish tightening the tray to the housing using a 9/16" open end or socket wrench.

Diagram B

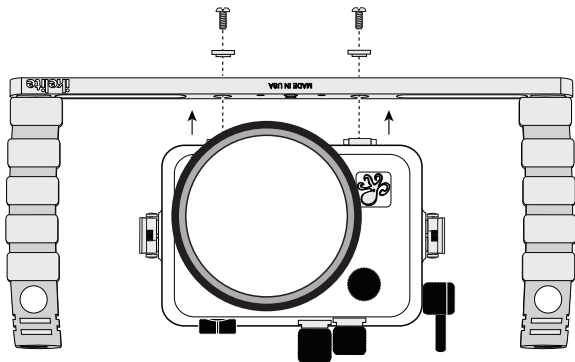


Diagram C



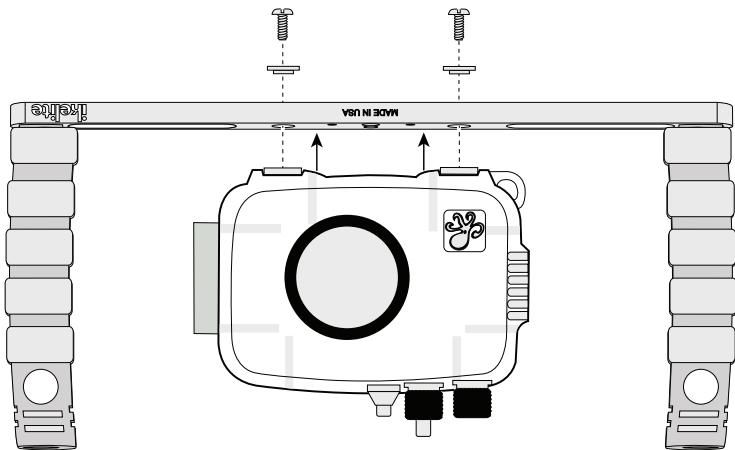
Attach Dual Tray to Ikelite Compact Housing featuring 12-24 or 1/4-20 Threaded Mounts

1. Determine the correct thread type for your housing mounts. Gently thread a 12-24 screw into one of the housing mounts. If there is no resistance and the screw does not seem loose or wobbly in the mount, then you have the correct screw. A larger diameter 1/4-20 X 3/8" screw will not thread into a smaller 12-24 mount.
- ⚠ CAUTION:** Using the incorrect screws could damage your housing mounts.
2. Once the correct screws have been selected, place your Ikelite Compact Housing upside down on a flat surface or on your lap.
 3. Line up the 3/8" tray holes with the housing mounts. If the tray is positioned properly, the "ikelite" logo will be facing forward toward the front of the camera housing.
 4. Place a shoulder washer in each 3/8" tray hole with the small end of the washer facing down.
 5. With your free hand, insert and rotate the correct screws clockwise until threaded into the housing mounts. Finish tightening the tray to the housing using a flathead screwdriver.



Attach Dual Tray to Ikelite ULTRAccompact Housing featuring 12-24 Threaded Mounts

1. Place your Ikelite Compact Housing upside down on a flat surface or on your lap.
2. Line up the 3/8" tray holes with the housing mounts. If the tray is positioned properly, the "ikelite" logo will be facing forward toward the front of the camera housing.
3. Place a shoulder washer in each 3/8" tray hole with the small end of the washer facing down.
4. With your free hand, insert and rotate the 12-24 x 1/2" screws clockwise until threaded into the housing mounts. Finish tightening the tray to the housing using a flathead screwdriver.



Attach Dual Tray to Non-Ikelite Housing featuring a 1/4-20 Threaded Mount

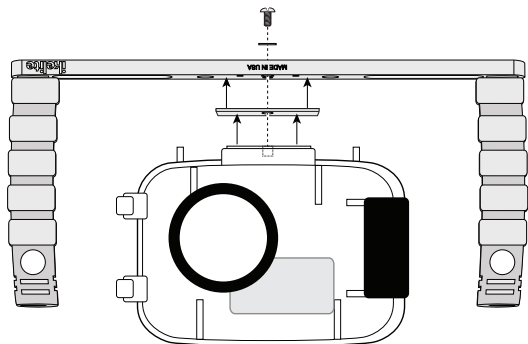
1. Remove the protective backing from the Non-Ikelite Housing Anti-rotational Pad, **Diagram D**, and place the adhesive side down on the Tray as shown, **Diagram E**.
2. Line up the larger non-threaded center Tray hole with the housing mount hole. If the tray is properly positioned, the “**ikelite**” logo will be facing forward toward the front of the camera housing.
5. With your free hand, insert and rotate the 1/4-20 X 5/8” screw clockwise until threaded into the housing mount. Finish tightening the tray firmly to the housing using a flathead screwdriver.

Note: The Housing Tray is designed for Ikelite Housings, so excessive pressure applied to either side of a Non-Ikelite housing may cause the housing to rotate slightly on the Tray.

Diagram D



Diagram E



Customer Support

**Ikelite Underwater Systems
Service Department
50 West 33rd St.
Indianapolis, IN 46208 USA**

Email: ikelite@ikelite.com

Phone: 317-923-4523

Limited Warranty

This Ikelite product is warranted against any manufacturing defects for a period of one (1) year from the original date of purchase. Defective products should be returned to Ikelite postage paid. Ikelite will, at its sole discretion, repair or replace such products, and will return to customer postage paid. All other claims of any nature are not covered. Except as mentioned above, no other warranty expressed or implied applies to this Ikelite product.



**Ikelite Underwater Systems
50 West 33rd Street
Indianapolis, IN 46208 USA**

ikelite.com

© 2015 Ikelite Underwater Systems

9523.64-tray-dual-handles_3_1017