

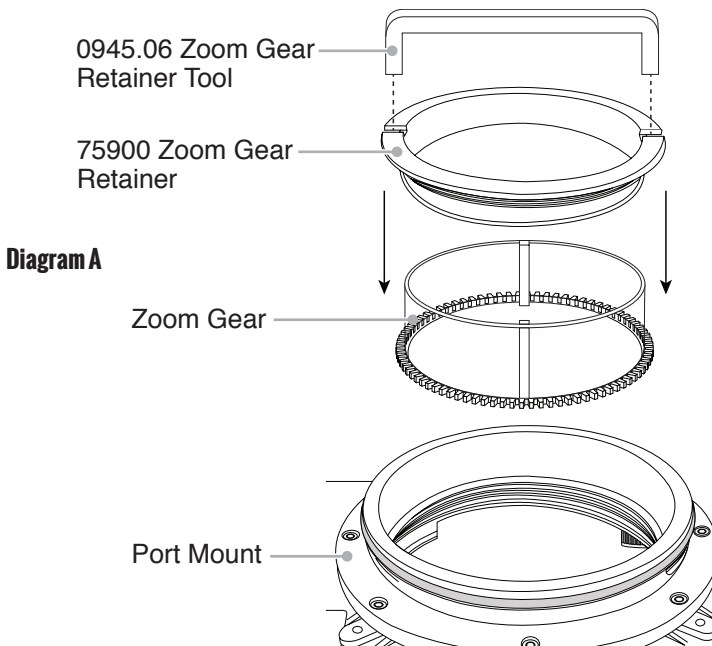


DL Zoom Gear Retainer

Product Number 75900

DL Zoom Retainer Tool

Product Number 0945.06



Installation

1. Install components as shown, **Diagram A**.
2. Tighten Zoom Gear Retainer into Port Mount using Zoom Gear Retainer Tool - **Diagram B**. Tighten clockwise so Retainer is snug. DO NOT overtighten.
3. Install lens and test zoom function - **Diagram C**.

Diagram B

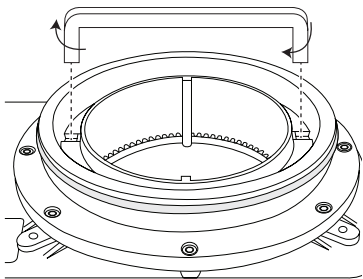


Diagram C

