



DLM Dome Port with Zoom Extension .375

Product Number 5516.16

DLM Dome Port with Zoom Extension 1.00

Product Number 5516.17

DLM 6" Dome Shade

Product Number 5516.05

Included in the Box (5516.16 & 5516.17)

- Dome Port
- Neoprene Cover 6" Dome # 0200.1
- DLM Securing Thumbscrews (3) # 9249.6
- Silicone Lubricant # 0184.1

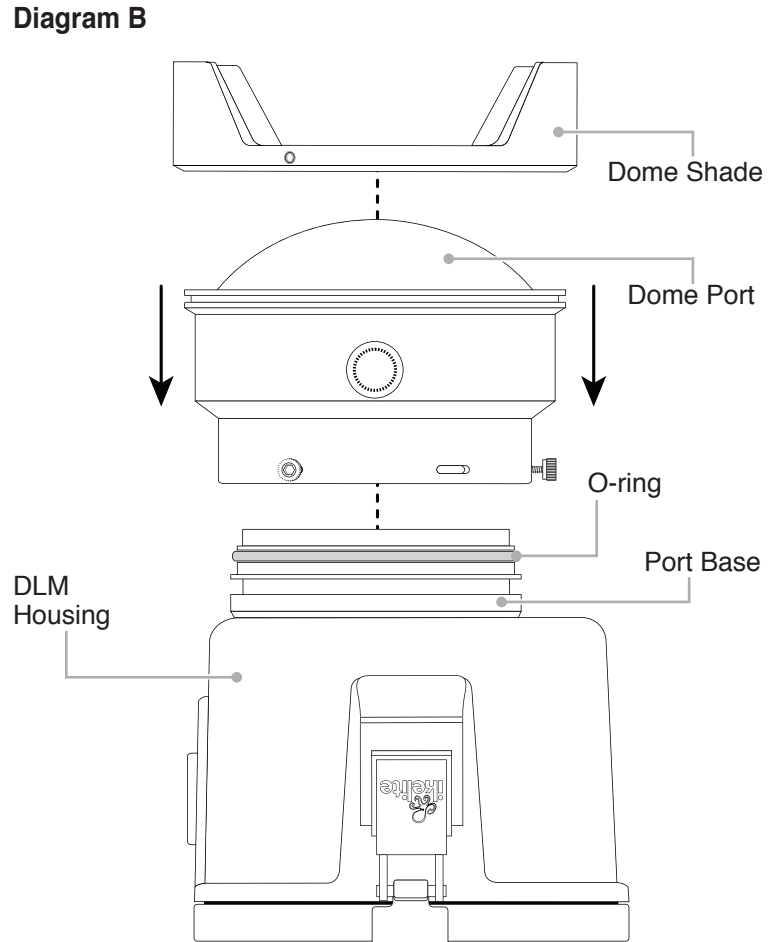
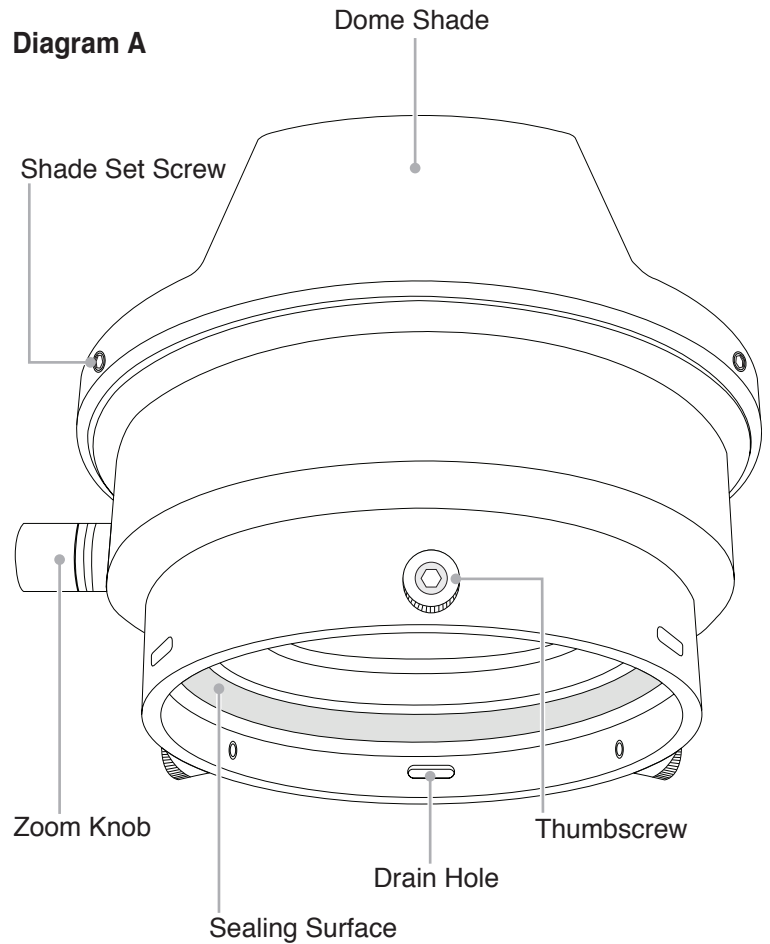
Included in the Box (5516.05)

- Dome Shade
- Set Screws (3) 6-32 x 3/16 # 0248.18
- Hex Key 1/16" # 0945.16

Installation and Use

Attaching Port to a DLM Housing

1. Using your fingers, loosen each Thumbscrew, **Diagram A**, until at least 4-5 threads are visible.
2. Make sure the Port Sealing Surfaces, **Diagram A**, and Port Base, **Diagram B**, are clean and free of debris.



» Continued on Back Page

3. Clean and lightly lubricate the Port Base O-ring, **Diagram**

B. When removing an o-ring, use a smooth nonmetallic object such as a guitar pick or toothpick to avoid scratching the o-ring sealing area. Apply an even coating of lubricant on the o-ring, just enough to make it slightly shiny. Avoid dry spots or excessive buildup of lubricant which can attract debris. When using a Port with optional Port extension, line up the Thumbscrews and firmly press components together until they are flush around the circumference; tighten each Thumbscrew until it stops. DO NOT overtighten.

4. Attach the Port or Port with extension directly to your housing as shown in **Diagrams B and C.**

5. Tighten each Thumbscrew until it stops. All Thumbscrews should be flush against the port body surface when properly tightened. DO NOT overtighten.

Attaching Shade to a DLM Dome Port

1. Port shade has 3 small set screws. If necessary, loosen screws and rotate shade so the Shade Extensions are in the 6 and 12 o'clock position.
2. Tighten screws so they are snug. DO NOT overtighten.

Travel and Storage

1. Remove the Port from the Housing Port Base or Port Extension for long-term storage.
2. Lightly lubricate the Port Base and Extension o-ring(s) prior to storage. O-rings may be left in place, or removed and placed in a resealable plastic bag.
3. Store in a cool, dry place.

Limited Warranty

This Ikelite product is warranted against any manufacturing defects for a period of one (1) year from the original date of purchase. To obtain warranty service, the product must be returned to Ikelite postage paid. Ikelite will, at its sole discretion, repair or replace such products, and will return to customer postage paid. All other claims of any nature are not covered. Except as mentioned above, no other warranty expressed or implied applies to this Ikelite product.

Diagram C
Correctly Installed Port

