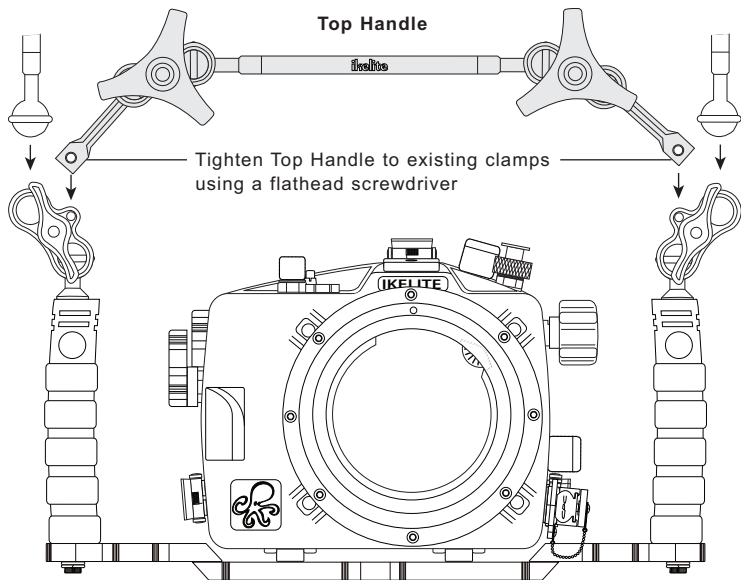




4080.08 Top Handle Instruction Manual



Usage

Top Handle works with dual handle trays for Compact Digital or DSLR housings with two lighting arms attached. The unique slotted ball arm doubles as both a handle and a mounting location for additional lighting.

Aluminum components are made with Type III hard anodization.



Ikelite Underwater Systems
50 West 33rd Street
Indianapolis, IN 46208 USA

ikelite.com