



Base with Left Quick Release Handle for DL and FL Housings

Product # 4077.67

Base with Dual Quick Release Handles for DL and FL Housings

Product # 4077.68

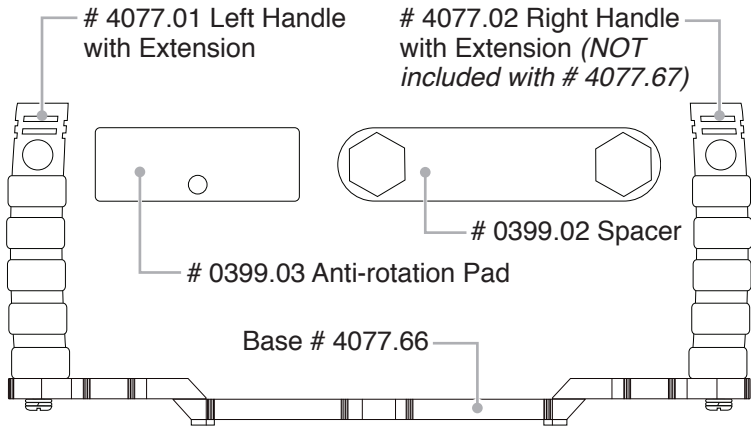
About this Product


Thank you for your purchase of Ikelite equipment. Please read this instruction manual completely before attempting to operate or dive with this product.


Important Information


- » **The Base with Quick Release Handle(s) is designed primarily for DL and FL housings, but can be attached to any Ikelite housing using the hardware included.**
- » **An Anti-rotational Pad is included when attaching the Base to a Non-Ikelite housing with a single 1/4-20 mount.**
- » **A 1/4-20 threaded mounting point is located in the center of the Base to allow attachment to a Tripod.**


Included in the Box

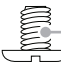


 Qty. 2 - # 0212.16 1/4" Nylon Washer

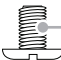
 Qty. 4 - # 0245.2 3/8" Nylon Washer

 Qty. 2 - # 0212.12 1/4" Shoulder Washer for 12-24 Screw

 Qty. 2 - # 0212.14 1/4" Shoulder Washer for 1/4-20 Screw

 Qty. 2 - # 0213.38 1/4-20 x 3/8" Screw

 Qty. 1 - # 0220.2 1/4-20 x 5/8" Screw

 Qty. 2 - # 0333.6 12-24 x 1/2" Screw

 Qty. 2 - # 0219.5 3/8-16 Hex Nut

 Qty. 1 - # 0945.18 Hex Key

Contents

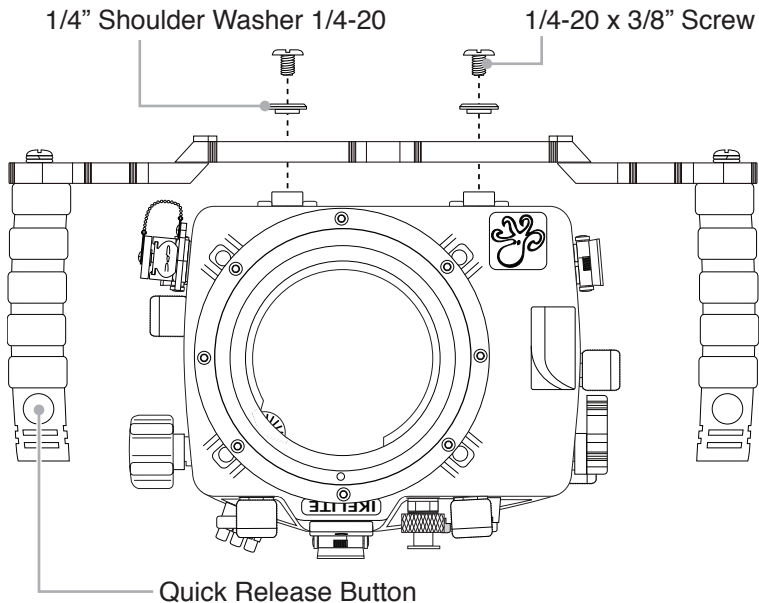
About this Product	2
Important Information	2
Included in the Box	3
Attach Base to DL or FL Housing.....	5
Attach Base to Compact Housing with 3/8-16 Bolts.....	6
Attach Base to Compact Housing with Threaded Mounts.....	7
Attach Base to ULTRAccompact Housing with Threaded Mounts.....	8
Attach Base to Non-Ikelite Housing with 1/4-20 Threaded Mount.....	10
Limited Warranty	11
Contact Us	12

Attach Base to DL or FL Housing

1. Determine the correct thread type for your housing mounts. ALL white housings use 1/4-20 x 3/8" screws. Most clear and older housings use 12-24 x 1/2" screws. 1/4-20 screws will not thread into a smaller 12-24 size mount.

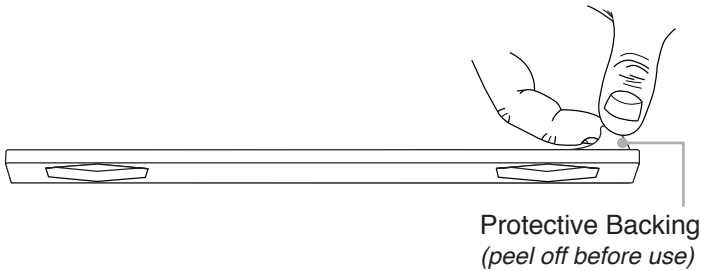
⚠ CAUTION: Using the incorrect screws could damage your housing mounts.

2. Once the correct screws have been selected, place your Ikelite DSLR housing upside down on a flat surface or on your lap.
3. Line up the 3/8" tray holes with the housing mounts. If the tray is positioned properly, the Quick Release Buttons will be extending toward the rear of the housing.
4. Place a shoulder washer in the holes corresponding to the housing mount holes, with the small end of each washer facing down.
5. With your free hand, insert and rotate the correct screws clockwise until threaded into the housing mounts. Finish tightening the base to the housing using a flathead screwdriver. DO NOT overtighten.

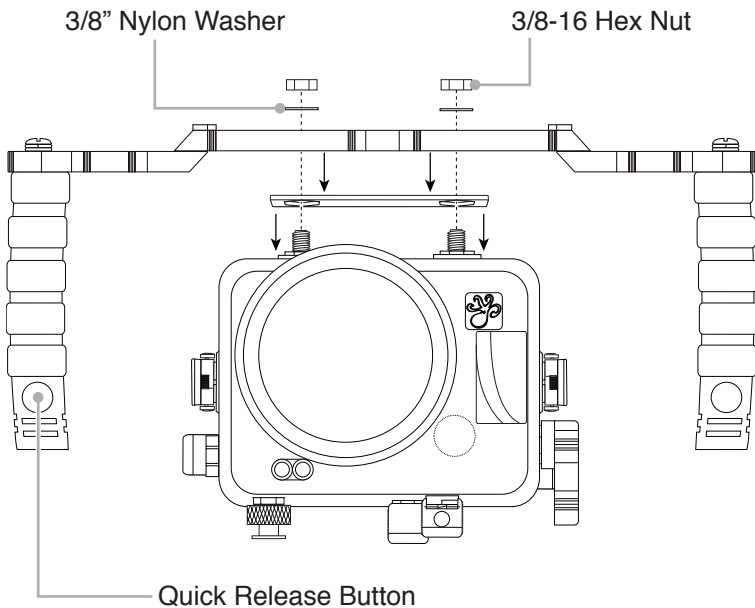


Attach Base to Compact Housing with 3/8-16 Bolts

1. Place your Ikelite Compact Housing upside down on a flat surface or on your lap.
2. Peel protective film off # 0399.02 Spacer to expose adhesive. Place Spacer over Housing Mounting Bolts with adhesive side facing up.



3. Line up the base holes with the 3/8" housing bolts. If the tray is positioned properly, the Quick Release Buttons will be extending toward the rear of the housing.



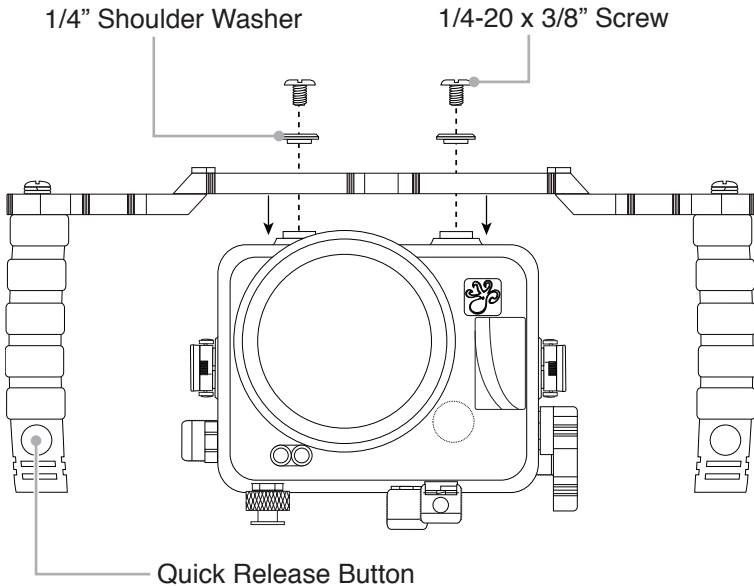
- Slide Tray into position over the Spacer and press firmly for a couple seconds. This will allow the Spacer to cling to the base.
- With your free hand, slide the 3/8" nylon washers over the Housing Mounting Bolts and tighten base using both 3/8-16 Hex Jam Nuts. Finish tightening the base to the housing using a 9/16" open end or socket wrench. DO NOT overtighten.

Attach Base to Compact Housing with Threaded Mounts

- Determine the correct thread type for your housing mounts. ALL white housings use 1/4-20 x 3/8" screws. Most clear and older housings use 12-24 x 1/2" screws. 1/4-20 screws will not thread into a smaller 12-24 size mount.

⚠ CAUTION: Using the incorrect screws could damage your housing mounts.


- Once the correct screws have been selected, place your Ikelite Compact Housing upside down on a flat surface or on your lap.



3. Line up the 3/8" tray holes with the housing mounts. If the base is positioned properly, the Quick Release Buttons will be extending toward the rear of the housing.
4. Place a shoulder washer in the holes corresponding to the housing mount holes, with the small end of each washer facing down.
5. With your free hand, insert and rotate the correct screws clockwise until threaded into the housing mounts. Finish tightening the base to the housing using a flathead screwdriver. DO NOT overtighten.

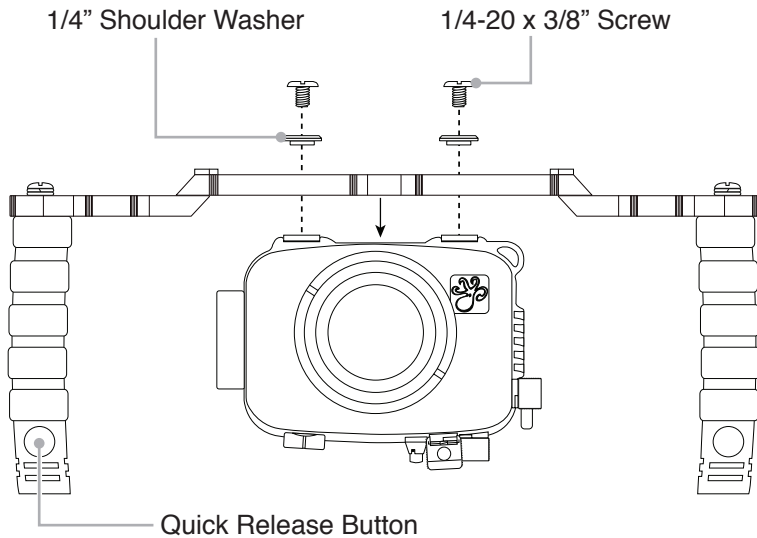
Attach Base to ULTRAccompact Housing with Threaded Mounts

1. Determine the correct thread type for your housing mounts. ALL white housings use 1/4-20 x 3/8" screws. ALL clear and older housings use 12-24 x 1/2" screws. 1/4-20 screws will not thread into a smaller 12-24 size mount.

 **CAUTION:** Using the incorrect screws could damage your housing mounts.

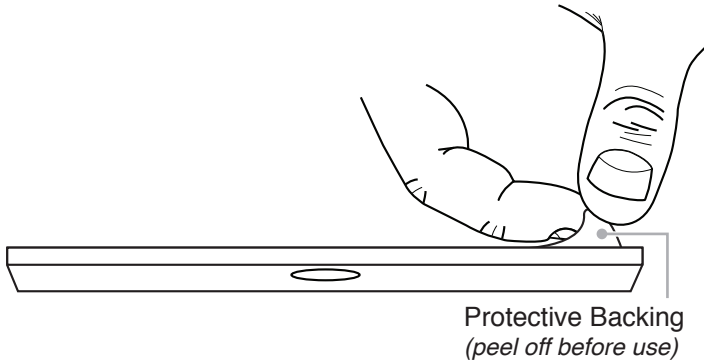
2. Once the correct screws have been selected, place your Ikelite ULTRAccompact Housing upside down on a flat surface or on your lap.

3. Line up the 3/8" tray holes with the housing mounts. If the Base is positioned properly, the Quick Release Buttons will be extending toward the rear of the housing.

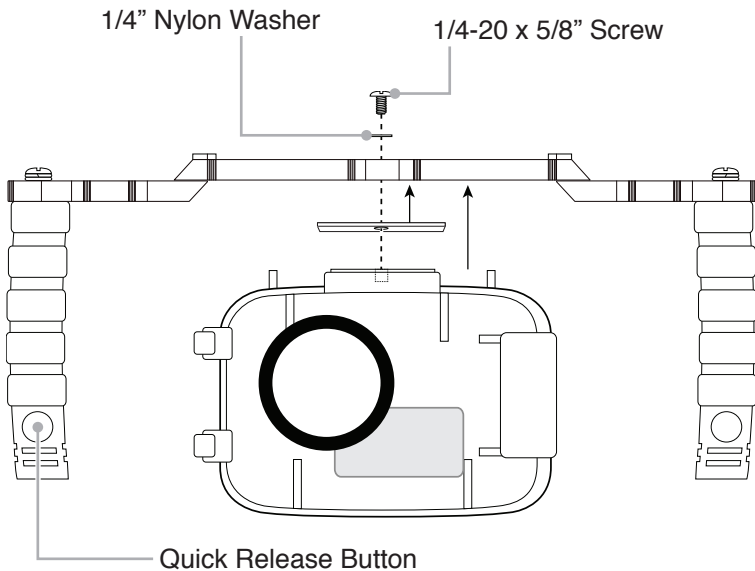


4. Place two shoulder washers in the holes corresponding to the housing mount holes, with the small end of each washer facing down.
5. With your free hand, insert and rotate the correct screws clockwise until threaded into the housing mounts. Finish tightening the base to the housing using a flathead screwdriver. DO NOT overtighten.

Attach Base to Non-Ikelite Housing with 1/4-20 Threaded Mount



1. Remove the protective backing from the Anti-rotational Pad.
2. Line up the pad hole with the larger non-threaded center base hole and place the adhesive side down on the base.
3. Line up center base hole with the housing mount hole. If the base is positioned properly, the Quick Release Buttons will be extending toward the rear of the housing.



4. With your free hand, insert and rotate the 1/4-20 X 5/8" screw clockwise until threaded into the housing mount. Finish tightening the base firmly to the housing using a flathead screwdriver. DO NOT overtighten.

Note: Since the housing base is designed for Ikelite Housings, any excessive pressure applied to either side of a Non-Ikelite housing may cause slight rotation or movement of the housing on the base. Also, make sure the screw does not bottom out on the housing bottom causing damage. Additional nylon washers should be used if necessary.

Limited Warranty

This Ikelite product is warranted against any manufacturing defects for a period of one (1) year from the original date of purchase. To obtain warranty service, the product must be returned to Ikelite postage paid. Ikelite will, at its sole discretion, repair or replace such products, and will return to customer postage paid. All other claims of any nature are not covered. Except as mentioned above, no other warranty expressed or implied applies to this Ikelite product.

Contact Us

If you have any questions about your product or need advice on getting the images you want, please get in touch with us and we'll do everything we can to help you capture your unique perspective.

Ikelite Underwater Systems
50 W 33rd St
Indianapolis, IN 46208 USA
+1 (317) 923-4523
ikelite@ikelite.com

© 2017 Ikelite Underwater Systems

4077.67_4077.68_Base_Handle(s)_1-1017